

## R580



### Features

- Diameter 580mm
- Modern, stylish and Innovative design
- Uniform light output
- Up/Down Lighting Optional
- Anti-Glare UGR19 Optional
- Transparent Optional
- White/Black/Silver finishing available
- Durable with life span over 50,000 hours
- 5 Years Guarantee
- Simple and convenient installation

### Applications

Meets the general and decoration lighting environment such as:

- Offices
- Restaurants
- Hotels
- Shops
- Schools and Hospitals
- Hallway & lobbies
- Meeting Rooms



REV 0.9

07/02/2014

## Sheenly LED Round Panel Light

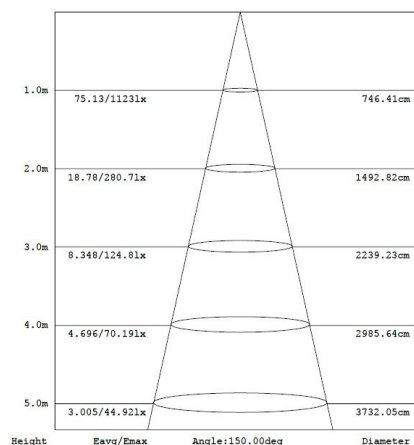
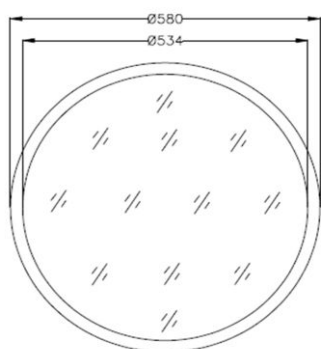
Sheenly LED Round Panel Light adopts qualified super bright LED as light source, which is stable, long life and no UV & IR emission. The anodized aluminum frame is stylish and fashionable with everlasting color. It is powered by low voltage constant current driver, which is safety, energy saving and long life.

Sheenly LED Panel light is the ideal replacement for traditional grid lights and fluorescent tubes. Moreover, Sheenly Panel light creates extremely harmonies and uniform lights, which conventional light never achieved.

### Specifications

<b>Dimension</b>	D580*15 mm
<b>Power &amp; Lumen Output</b>	
40W	3400 lm @ 4000K
60W	5000 lm @ 4000K
<b>Color Temperature</b>	
Warm White	3000K-3300K
Natural White	4000K-4300K
Pure White	5700K-6000K
<b>Color Rendering Index</b>	>80
<b>Rated Life (L70)</b>	50,000 Hours
<b>Housing</b>	Aluminum
<b>Optics</b>	Opal Micro Prismatic Transparent
<b>Beam Spread</b>	
Single Side Model	120°
Double Side Model	Up/Down
<b>Operating Temperature</b>	-20°C to +60°C (Amb.)
<b>Input Voltage</b>	200-240V/AC
<b>Power Factor</b>	>0.95
<b>Working Voltage</b>	
40W	25 V/DC
60W	38 V/DC
<b>Working Current</b>	1400 mA
<b>Net Weight</b>	3.15 Kg
<b>Glow Wire</b>	650 °C (850°C Optional)
<b>IP</b>	IP40
<b>IK</b>	IK05
<b>Installation</b>	Suspension

## Dimension and Illumination Diagram



## Ordering Information

Sheenly	Class	Watt	CCT	Model	Finishing	Options
SL=Sheenly Lighting	PAN=Panel	40W 60W	WW=3000K NW=4000K PW=6000K	R60	BK=Black WH=White SI=Silver	UD=Up and Down Lighting MP=Micro Prismatic Diffuser (UGR19) PC= PC Diffuser (Glow Wire 850°C) TP= Transparent

Part Number	Power	CCT	Lumen Output	Beam	Dimension
SL-PAN-40W-XW-R60	40W	3000K/4000K/6000K	3400	120°	D580*15 mm
SL-PAN-40W-XW-R60-UD-TP	40W	3000K/4000K/6000K	↑1700 ↓1700	Up/Down Transparent	D580*15 mm
SL-PAN-40W-XW-R60-UD-MP	40W	3000K/4000K/6000K	↑1700 ↓1700	Up/Down MicroPrismatic	D580*15 mm
SL-PAN-60W-XW-R60	60W	3000K/4000K/6000K	5000	120°	D580*15 mm
SL-PAN-60W-XW-R60-UD-TP	60W	3000K/4000K/6000K	↑2500 ↓2500	Up/Down Transparent	D580*15 mm
SL-PAN-60W-XW-R60-UD-MP	60W	3000K/4000K/6000K	↑2500 ↓2500	Up/Down MicroPrismatic	D580*15 mm

## Accessory



Suspension Kit:  
Round Driver Box, Steel Cables, Screws, etc.



**Shanghai Sheenly Lighting Co., Ltd.**

No. 2755 SanLu Road, Minhang District Shanghai 201112, China

Tel: (+86)-21-6411 3138 Fax: (+86)-21-6411 3862

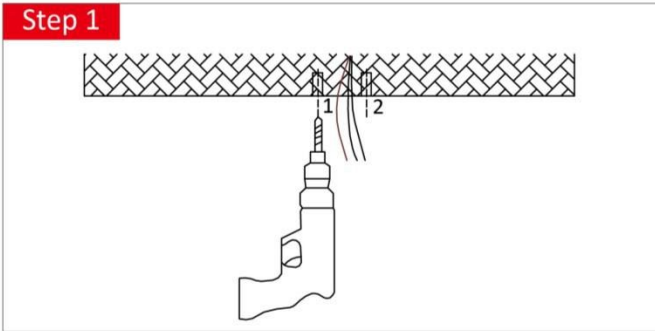
\*All specifications subject to change without notice.

©2009-2014 Sheenly Lighting all rights reserved.

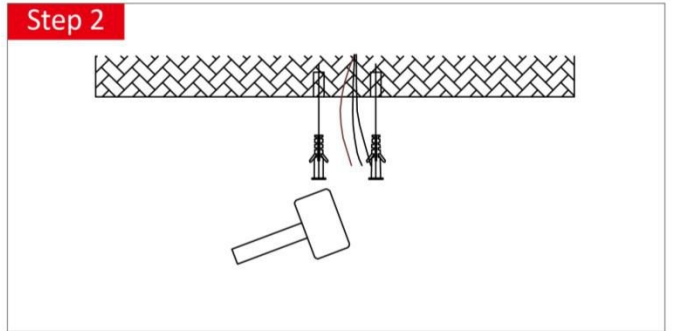
## R580 LED Round Panel Installation Manual



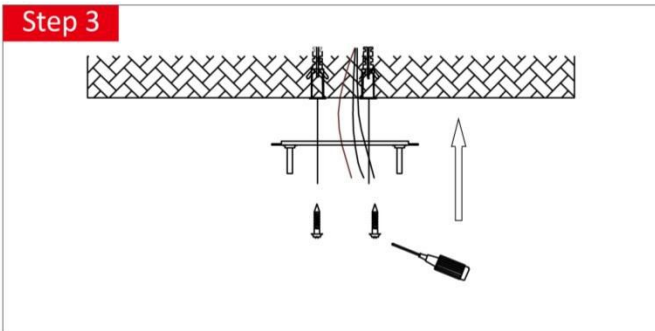
**Step 1**



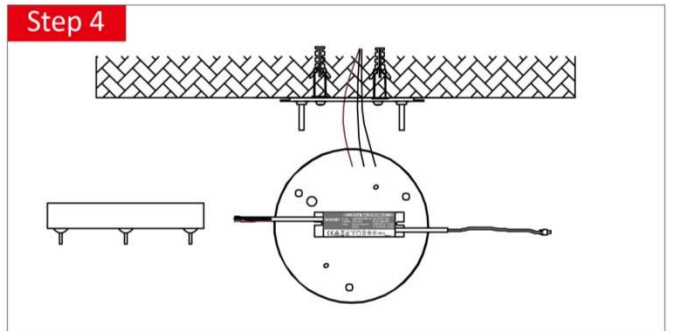
**Step 2**



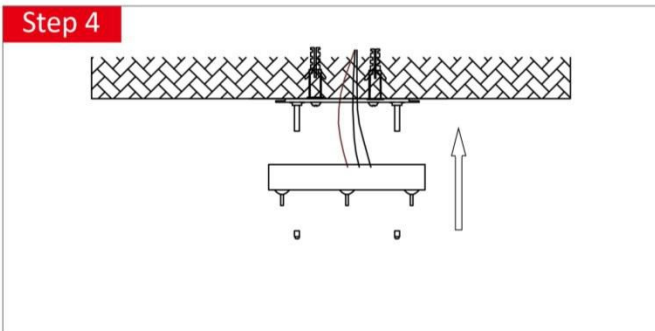
**Step 3**



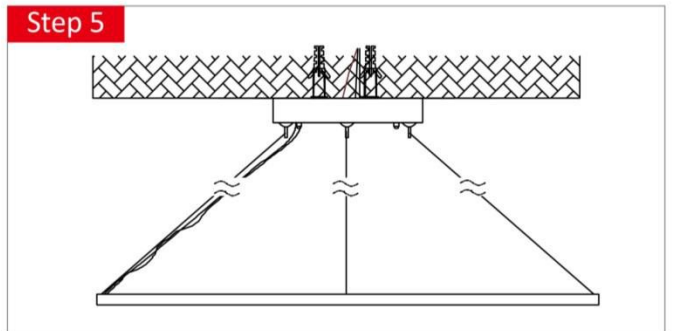
**Step 4**



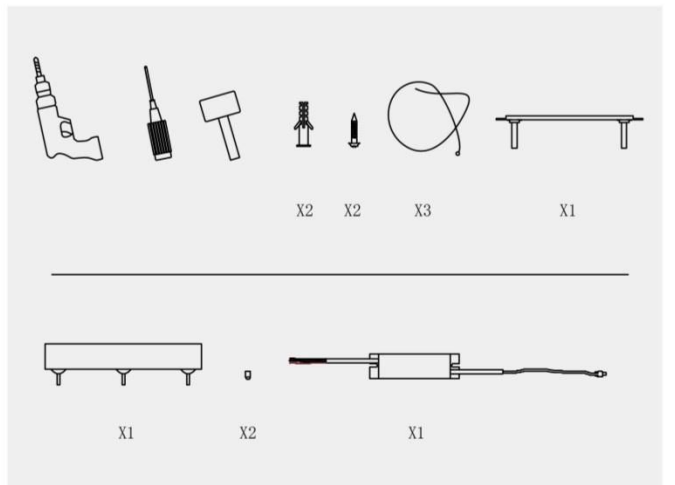
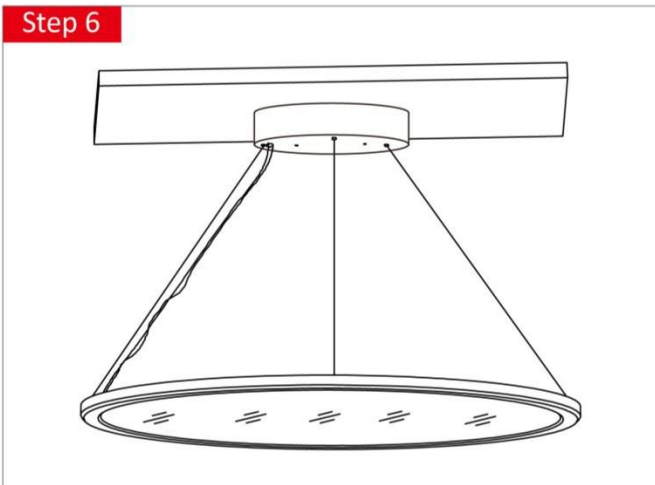
**Step 4**



**Step 5**



**Step 6**



**Lighting Up a New World**