

Lotus



Sheenly LED Highbay Light

LED Highbay Light - Lotus adopts qualified super bright LED as light source, which is stable, long life and no UV & IR emission. The special designed aluminum housing is stylish and fashionable with excellent heat management.

Integrated with Meanwell latest HBG series driver, powered by low voltage constant current driver, which is safety, energy saving and long life. The whole structure well ensures IP65 waterproof and 5 years guarantee.

Features

- Up to 100 lm/watt
- Unique appearance, innovative heat sink design
- Low operating temperature, makes it extremely versatile under different easy/hard operating conditions
- Innovative reflector-mounting-mechanism for instant beam angle adjustment
- Superbly reliable Meanwell HBG driver with built in 0-10V dimming function
- Light weight
- Easy Installation
- 5 Years Guarantee

Applications

- Factory
- Warehouse
- Workshop
- Shop
- Industrial Lighting

Specifications

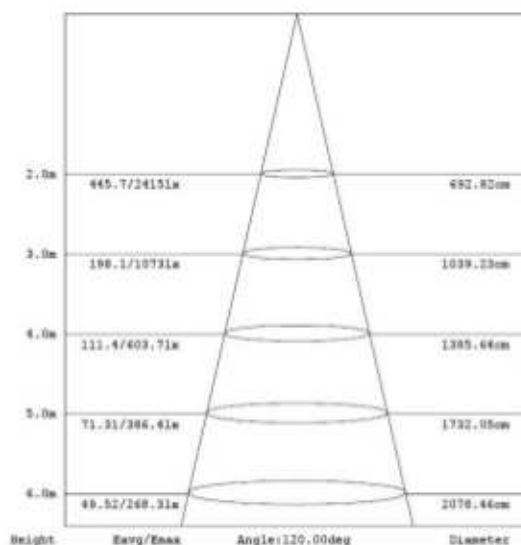
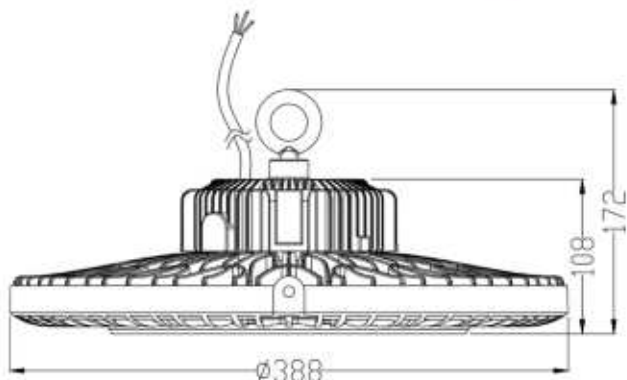
Dimension	D388*172 mm
Power & Lumen Output	
100W	10000 lm @ 6000K
160W	16000 lm @ 6000K
200W	20000 lm @ 6000K
230W	22000 lm @ 6000K
Color Temperature	
Warm White	3000K-3300K
Natural White	4000K-4300K
Pure White	5700K-6000K
Color Rendering Index	>80
Rated Life (L70)	50,000 Hours
Housing	Aluminum
Beam Spread	
Transparent Tempered Glass	120°
Micro Prismatic PMMA	90°
Optional Reflector	60°
Operating Temperature	-20°C to +60°C (Amb.)
Input Voltage	90-305V/AC 127-431V/DC
Power Factor	>0.95
Net Weight	7.5 Kg
Glow Wire	960 °C
IP	IP65
IK	IK08
Installation	Suspension Wall Mounting



REV 2.0

07/02/2014

Dimension and Illumination Diagram



Ordering Information

Sheenly	Class	Watt	CCT	Model	Finishing	Options
SL=Sheenly Lighting	BAY=Bay Light	100W 160W 200W 230W	WW=3000K NW=4000K PW=6000K	AN	BK=Black WH=White	90D=90 Degree Beam

Part Number	Power	CCT	Lumen Output	Beam	Dimension
SL-BAY-100W-XW-AN	100W	3000K/4000K/6000K	10000	120°	D388*172 mm
SL-BAY-160W-XW-AN	160W	3000K/4000K/6000K	16000	120°	D388*172 mm
SL-BAY-200W-XW-AN	200W	3000K/4000K/6000K	20000	120°	D388*172 mm
SL-BAY-230W-XW-AN	230W	3000K/4000K/6000K	22000	120°	D388*172 mm

*XW: WW 3000k /NW 4000K /PW 6000K

Accessory



Optional Accessories:

- SL-ACC-HB-REF-60D, 60Degree Beam Reflector
- SL-ACC-HB-WALL-M, Wall Mounting Fixture

Shanghai Sheenly Lighting Co., Ltd.

No. 2755 SanLu Road, Minhang District Shanghai 201112, China

Tel: (+86)-21-6411 3138 Fax: (+86)-21-6411 3862

*All specifications subject to change without notice.

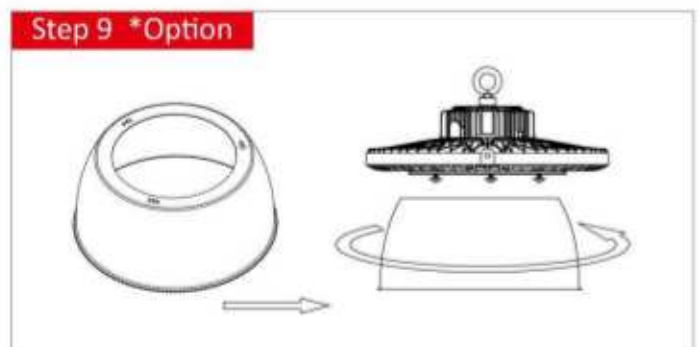
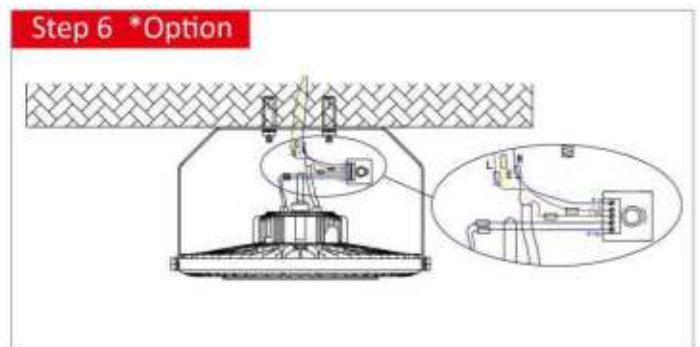
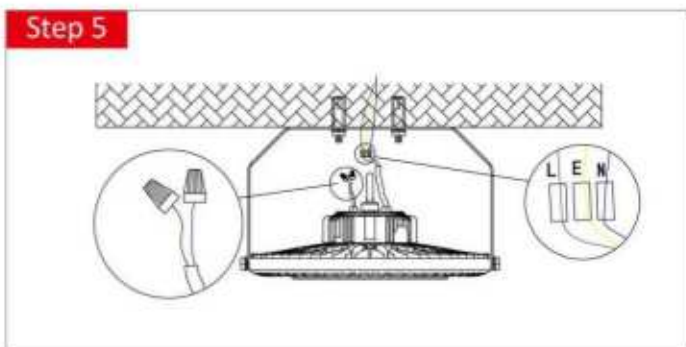
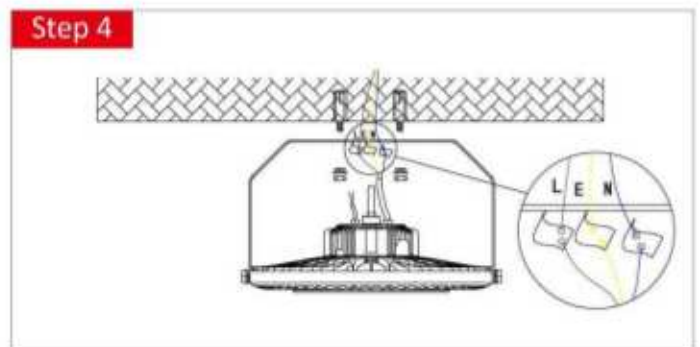
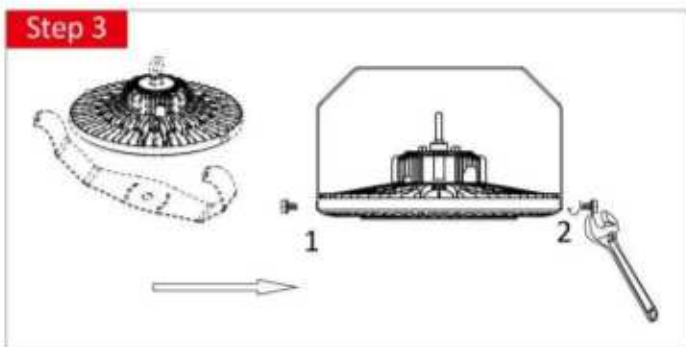
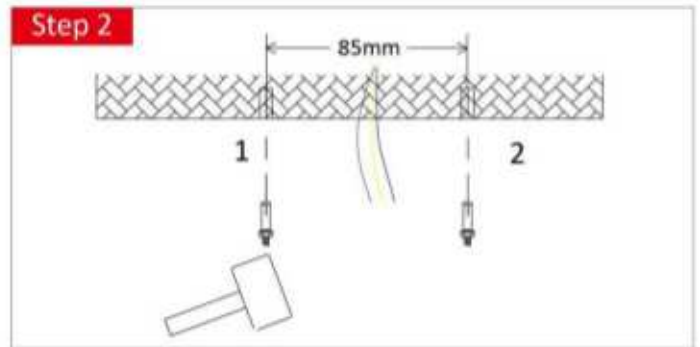
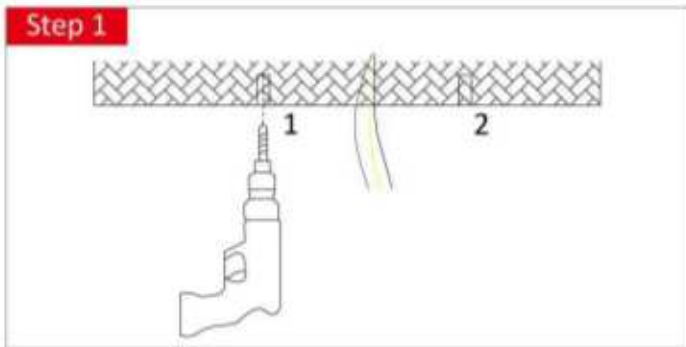
©2009-2014 Sheenly Lighting all rights reserved.

Sheenly Lotus LED Highbay

- Powerful output, available in 10,000lm (100W), 16,000lm (160W), and 20,000lm (200W) lumen package
- Low operating temperature, makes it extremely versatile under different easy/hard operating conditions
- Light weight
- Easy installation
- 5 year warranty
- Superb in price and performance ratio, extremely price competitive



Lotus Highbay Wall Mounting Installation Manual



**Lighting Up
a New World**