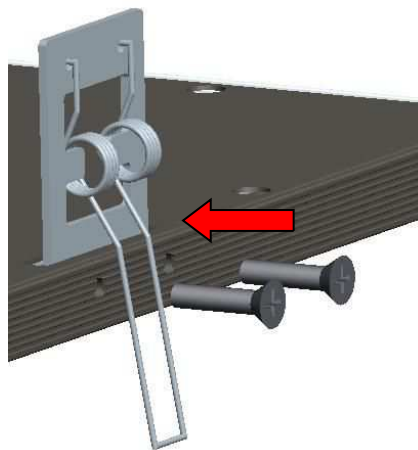


## Fixture B - Clip in Fixture

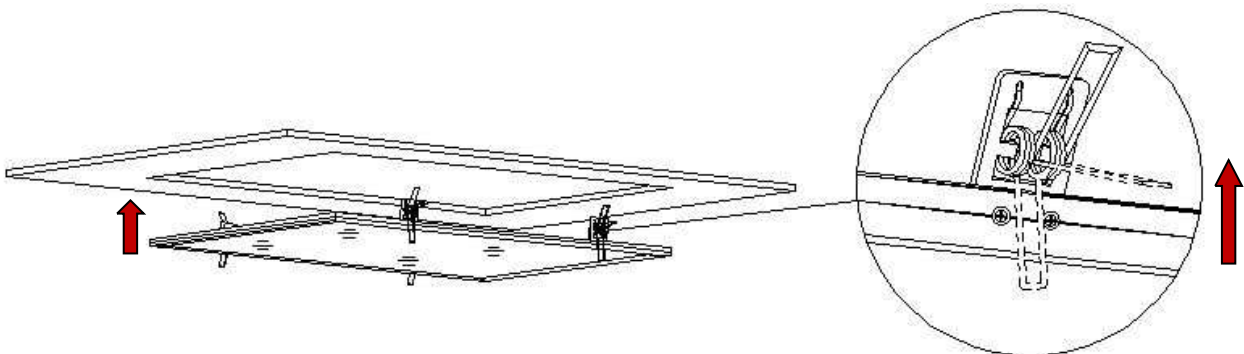
**Part No.:** SL-ACC-REC-CLIP



**Step1.** Attach the spring to bracket



**Step2.** Mount the bracket



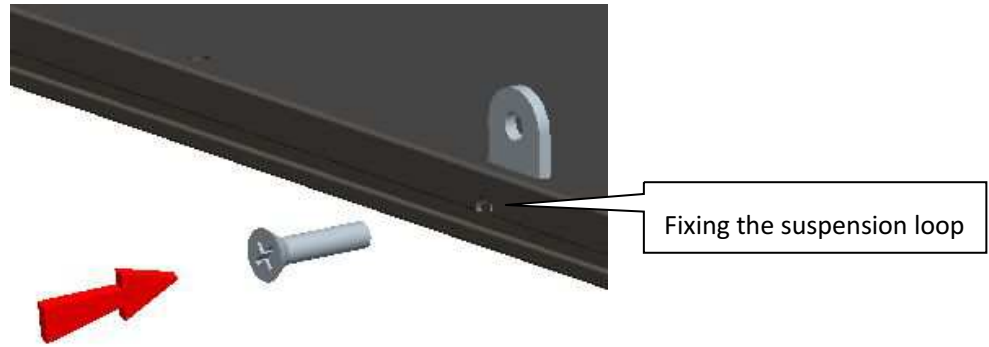
**Step3.** Clip the panel into ceiling

**Finish**

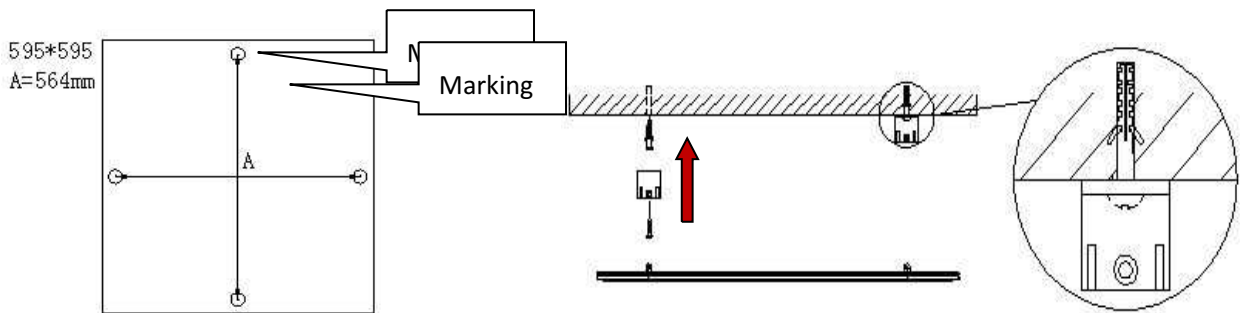
\*Fixture B only works with Step-Frame, inform us before placing the order.

### Fixture C - Column Surface Mounted

Part No.: SL-ACC-SUR-COLUMN

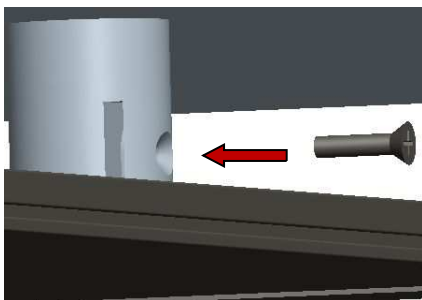


**Step1.** Fix the suspension loop

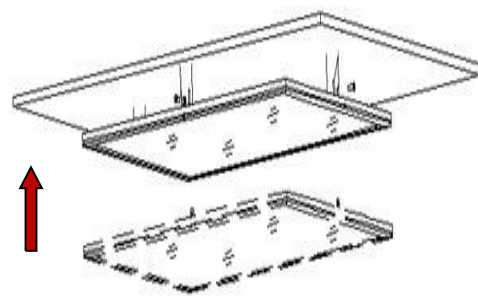


**Step2.** Mark the position

**Step3.** Drill and install the column to ceiling



**Step4.** Fix the column to suspension loop

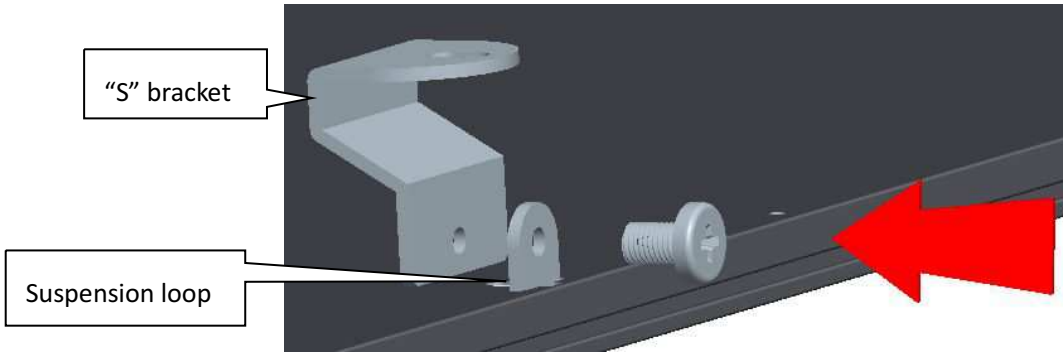


**Finish**

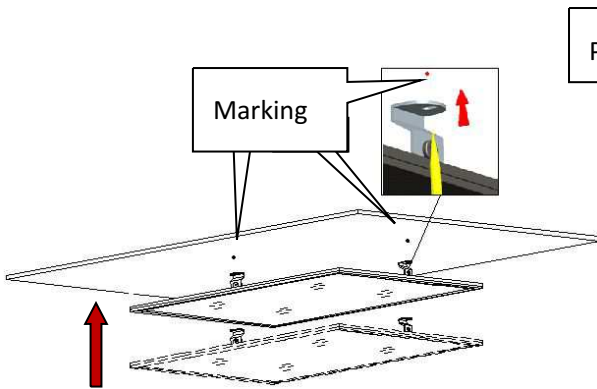
● POOR INSTALLATION WILL AVOID WARRANTY

### Fixture E - "S" Surface Mounted

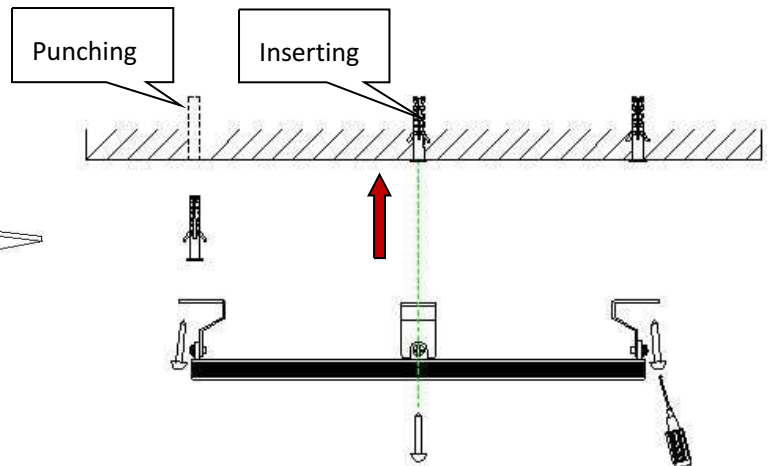
Part No.: SL-ACC-SUR-S



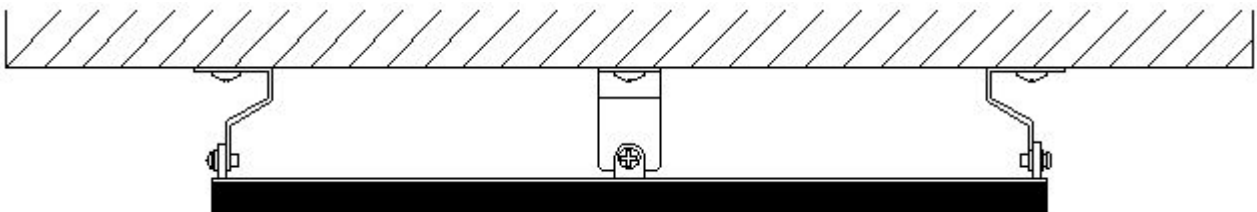
Step1. Mount "S" bracket



Step 2. Mark the punching position



Step 3. Punch and fix with screws

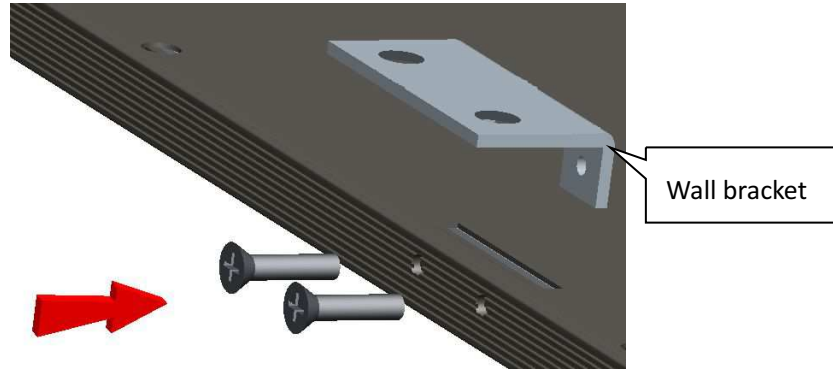


Finish

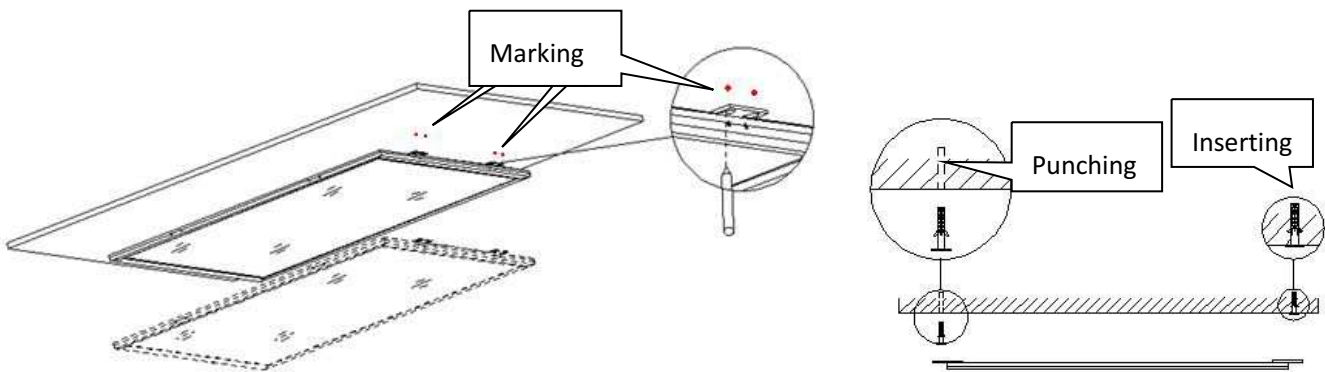
● POOR INSTALLATION WILL AVOID WARRANTY

**Fixture F - "L" Wall-hanging Flush**

**Part No.: SL-ACC-WALL-L**

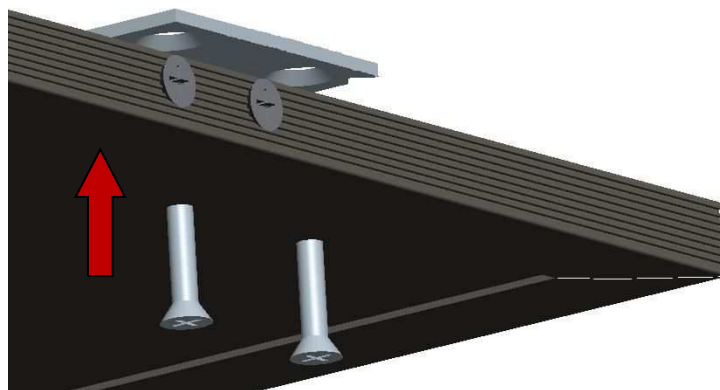


**Step1.** Mount wall bracket



**Step2.** Mark the punching position

**Step3.** Punch and insert the screws

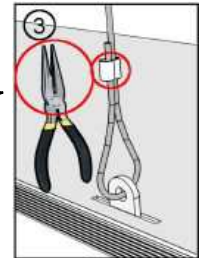
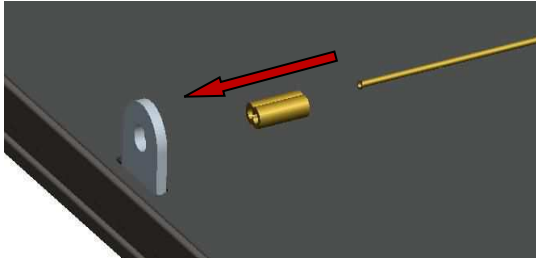


**Step4.** Install the panel to ceiling, finish

\*Inform us before placing the order if you need fixture F

## Fixture G - Square Pendant Fixture

Part No.: SL-ACC-PEN-SQUARE

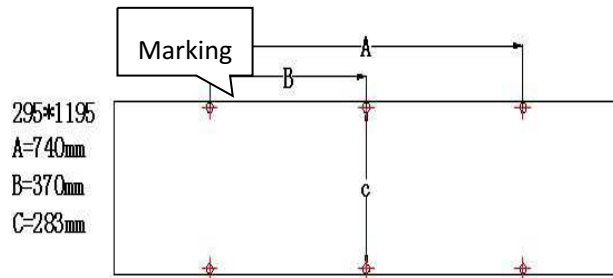
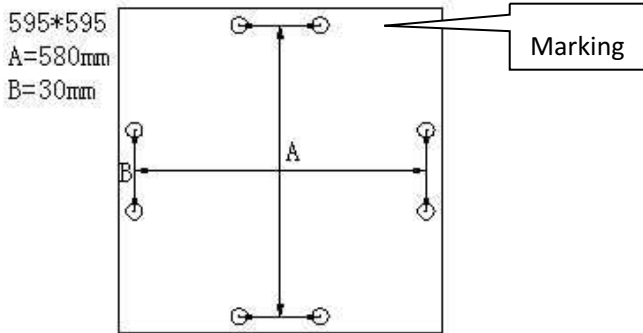


**Step1.** Across the steel cable through suspension loop

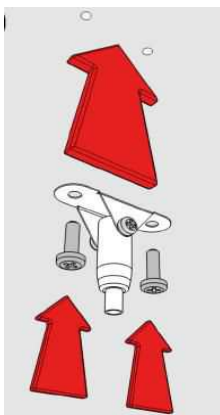
**Step2.** Fasten with plier

600\*600mm Panel Light

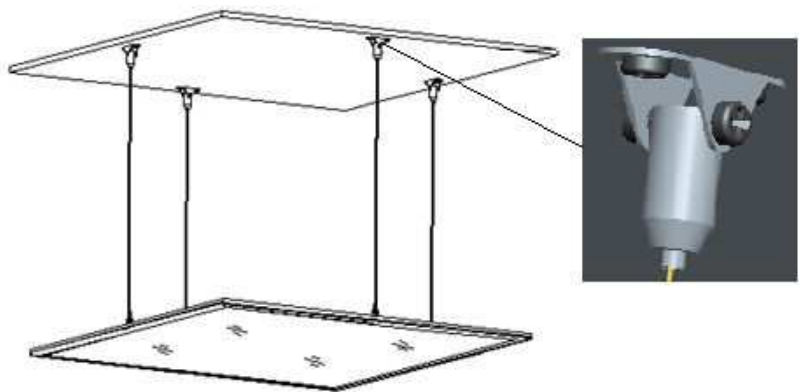
300\*1200mm Panel Light



**Step3.** Mark the punching position



**Step4.** Fix the clutch to ceiling



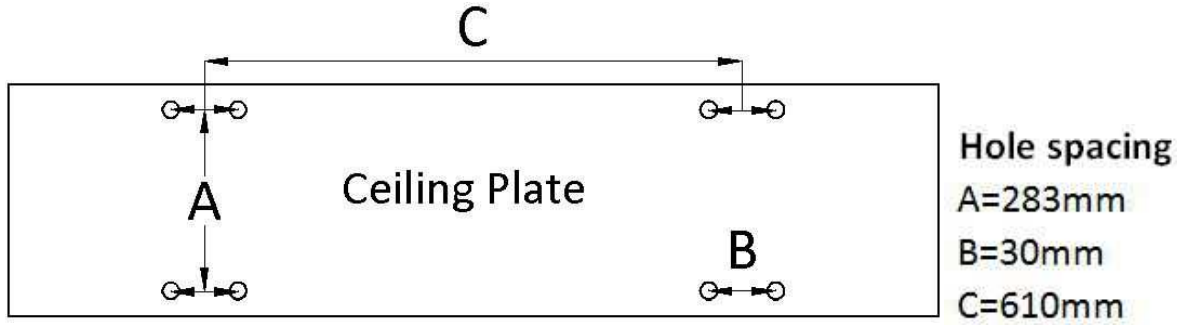
**Step5.** Insert steel cable to the clutch

**Finish**

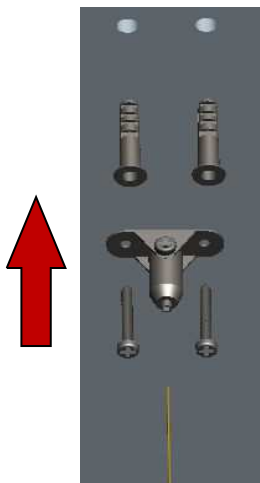
● POOR INSTALLATION WILL AVOID WARRANTY

# Installation Manual

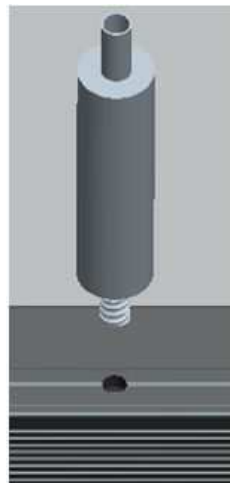
\*for Up/Down LED Panel SL-PAN-45W-XW-UD



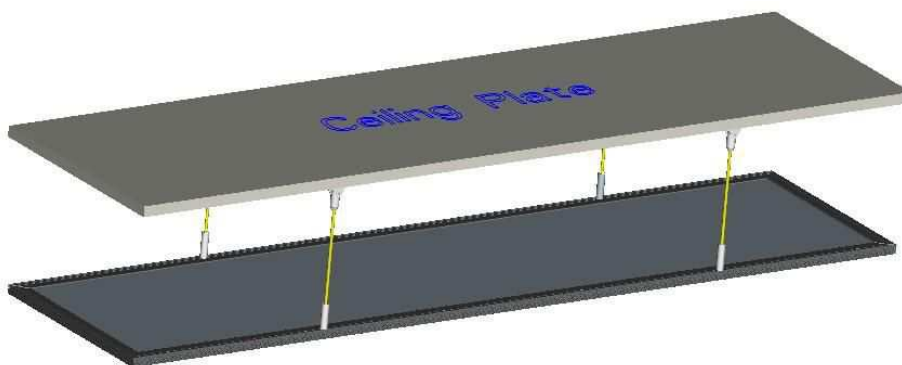
**Step1.** Mark the punching position on ceiling plate



**Step2.** Fix the clutch to ceiling



**Step3.** Screw fixture onto panel, insert steel cable



**Step4.** Finish

● POOR INSTALLATION WILL AVOID WARRANTY