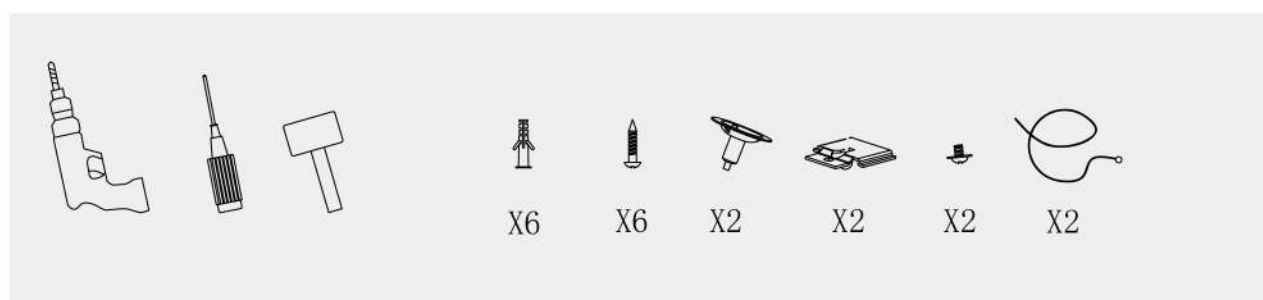
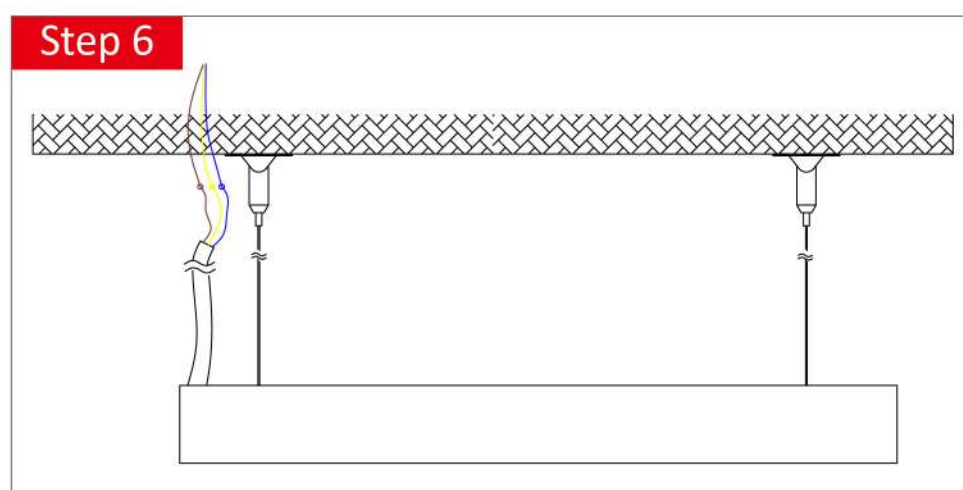
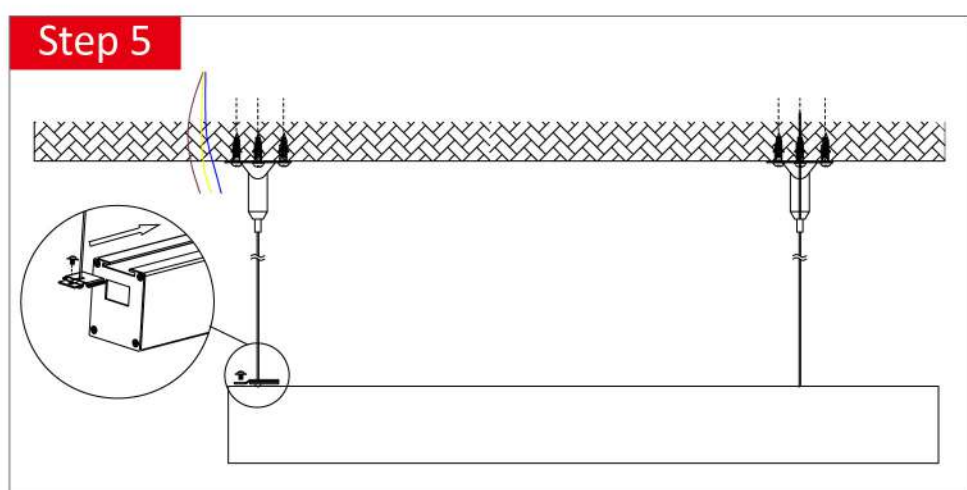
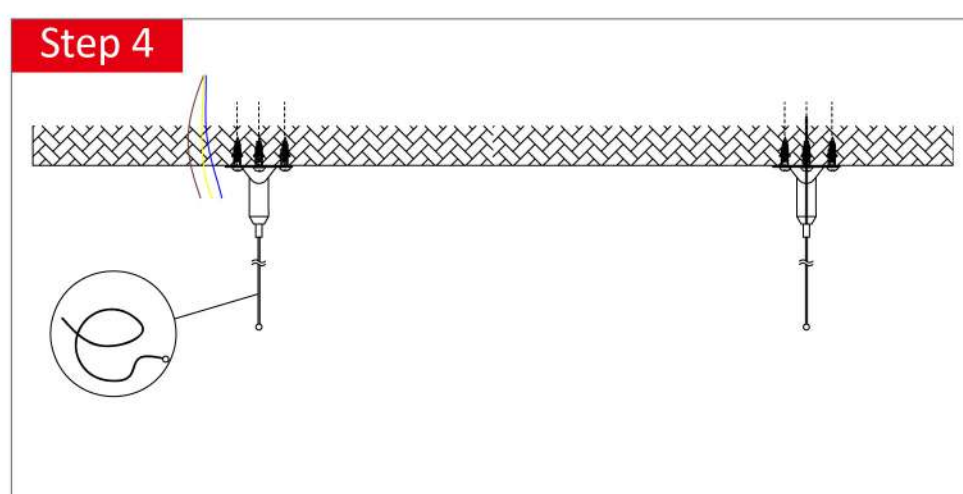
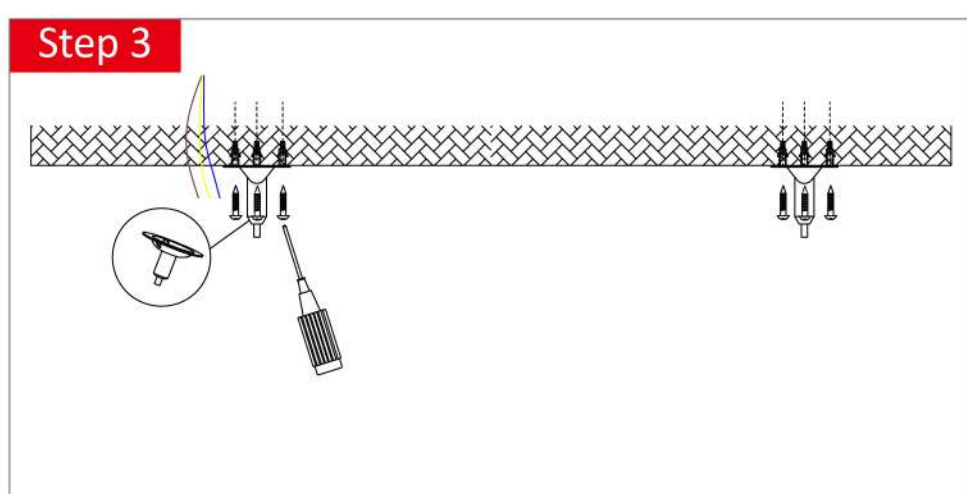
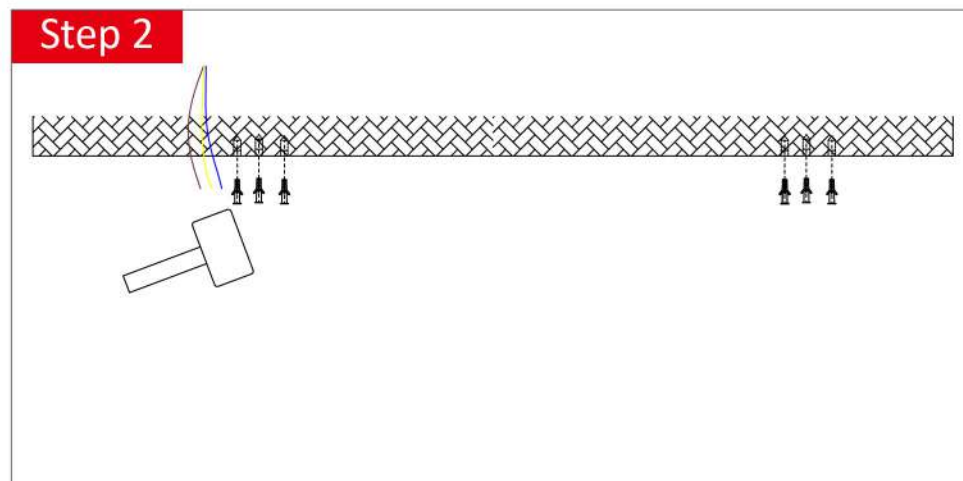
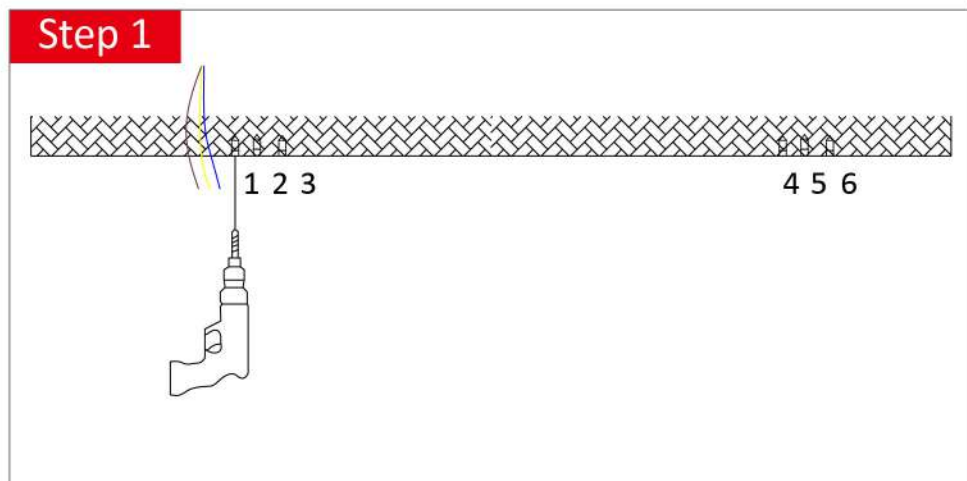




## LED Linear Light Xline2 Installation Manual



*Lighting Up a New World*