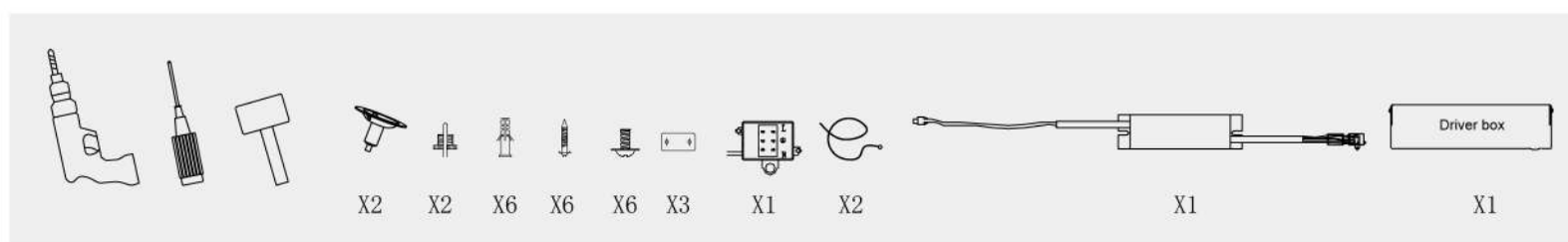
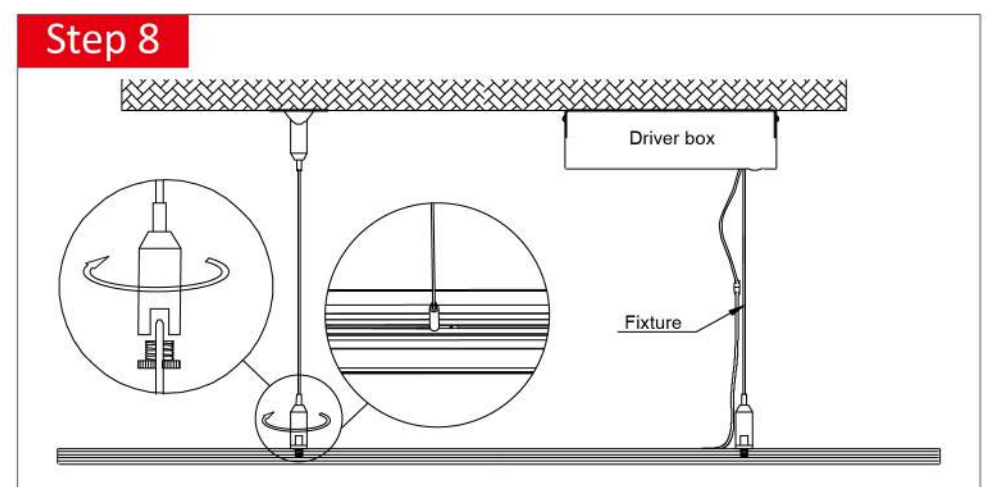
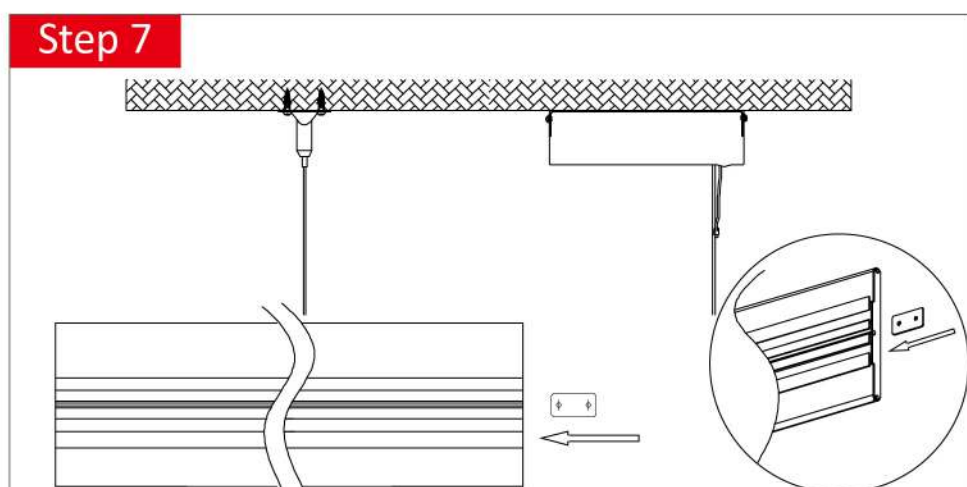
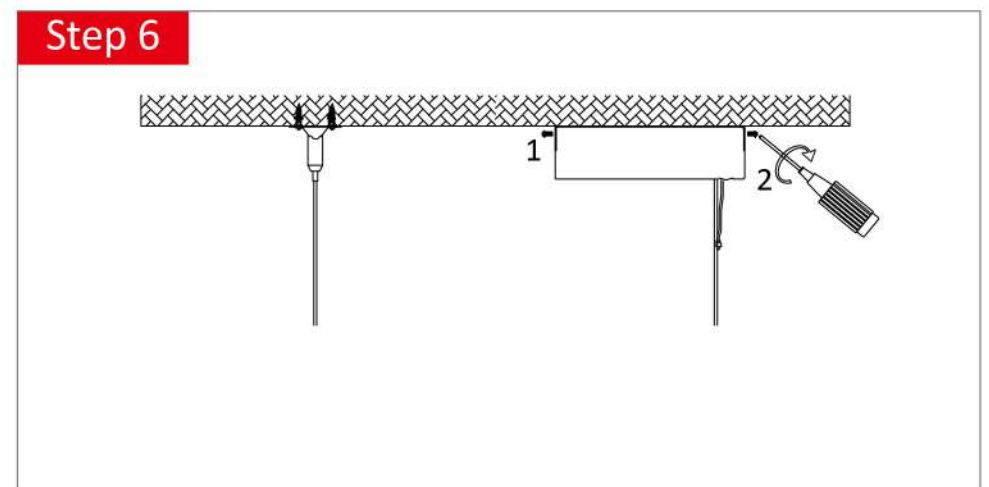
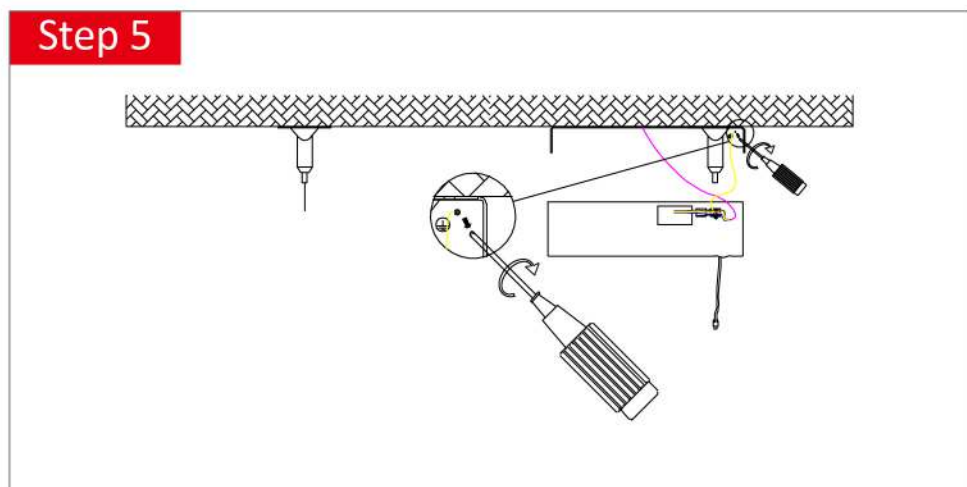
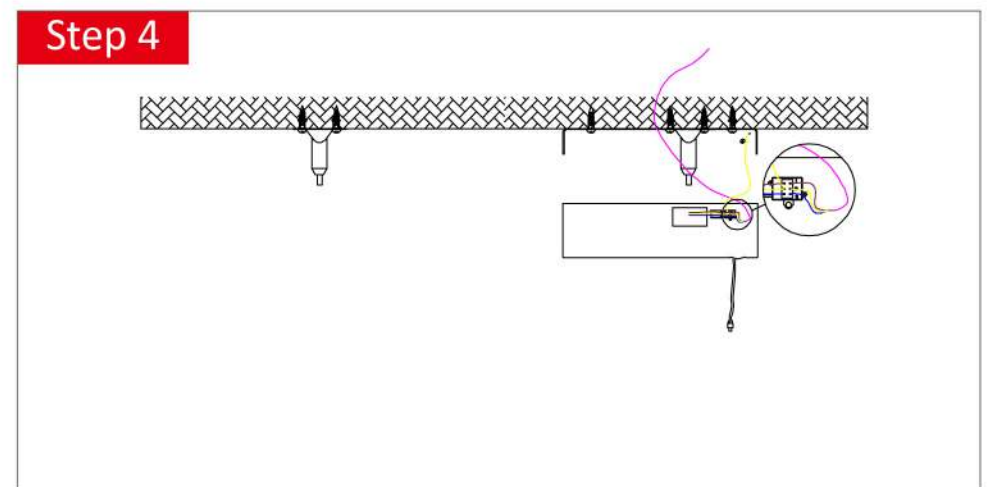
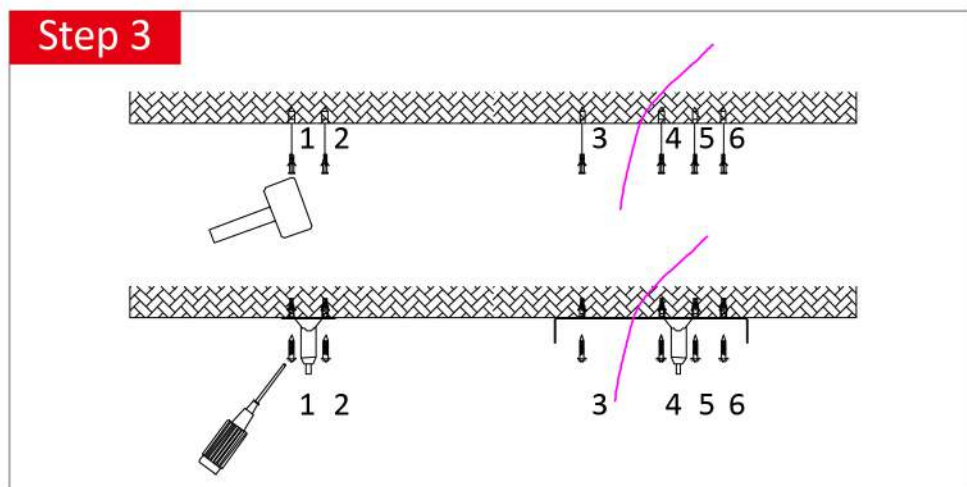
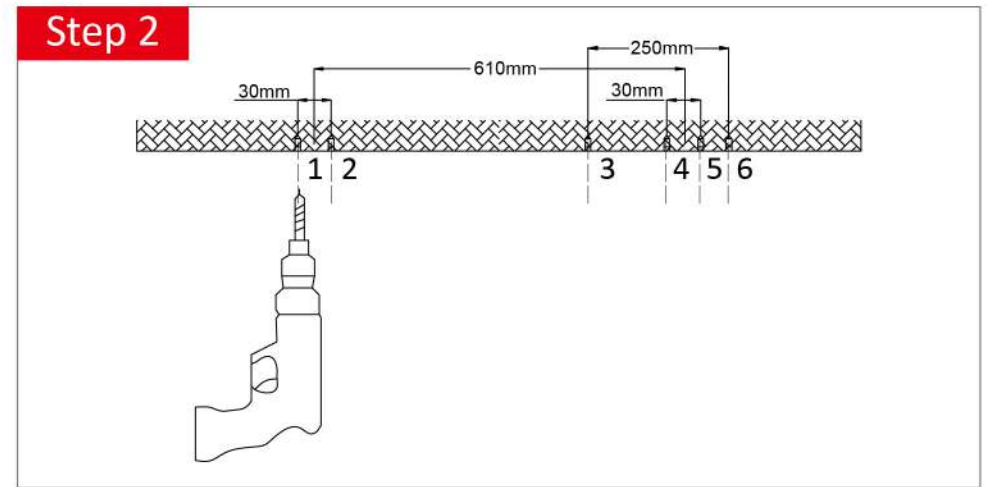
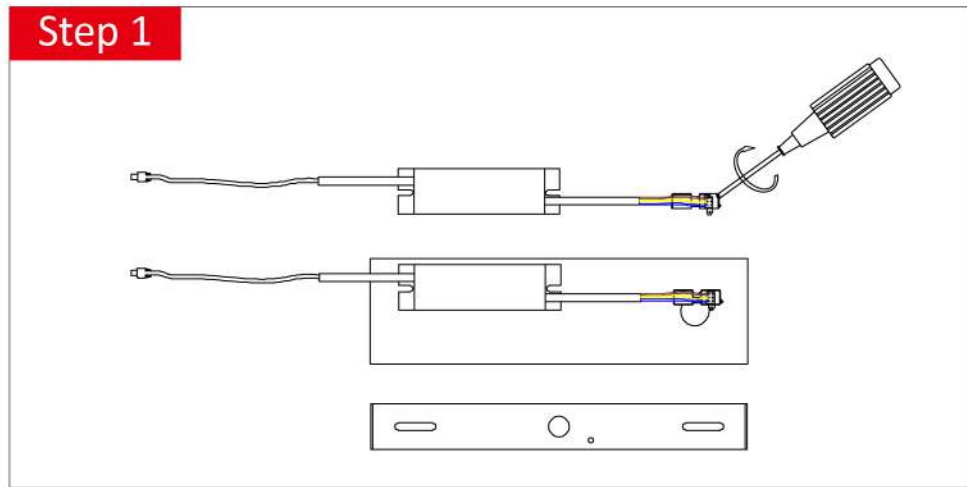




Plinx Suspension Installation Manual



**Lighting Up
a New World**