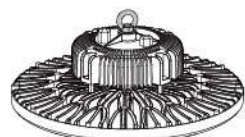
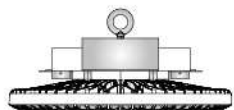


- Long Life
60,000 hours
- Dimmable
- 5 years
Guarantee
- IP65
- 100Lm/W



Lotus



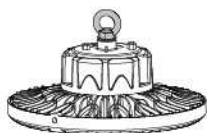
Lotus High Voltage



60° reflector for Lotus



90° reflector for Lotus



Lotus mini

SHEENLY

Sheenly Lighting Co.,Ltd.

No.2755, Sanlu Road, Bldg1, Minhang District, Shanghai 201112, China.

Tel: +86-21-6411 3138

Fax: +86-21-6411 3862

Email: sales@sheenly.com

www.sheenly.com



Mobile APP

REV: V1.1 2016/01/10

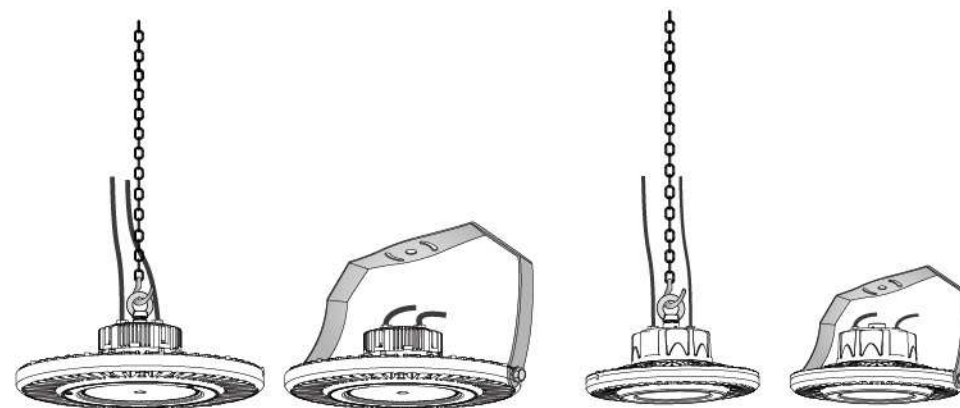
SHEENLY®



Lotus Bay Light Information

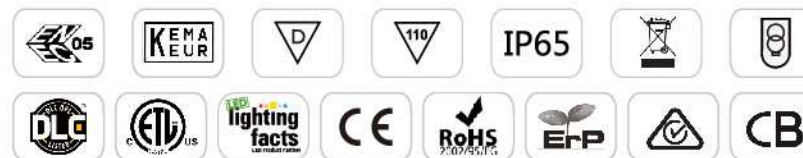
Industrial Lighting LED Bay Light

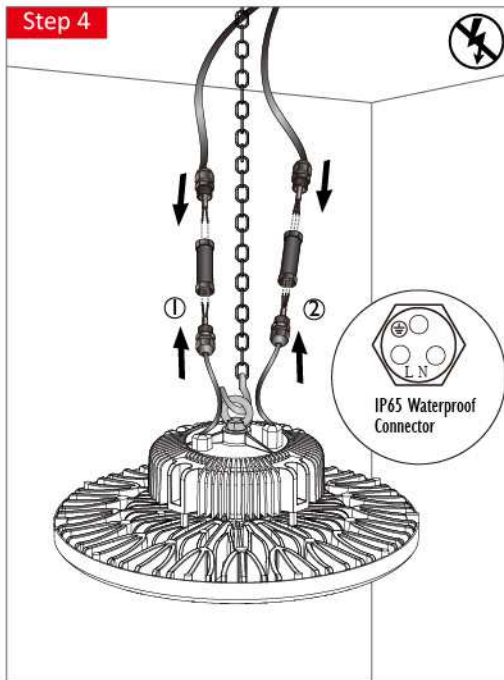
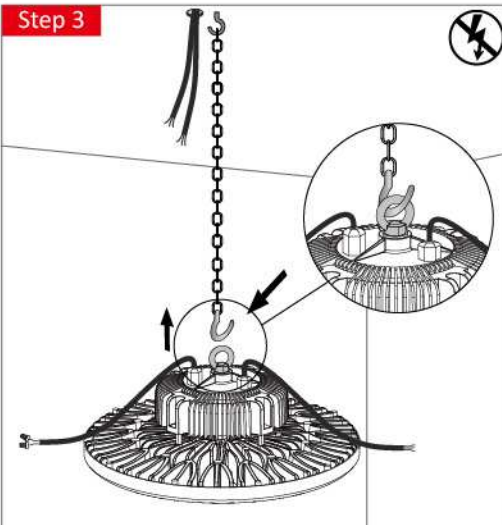
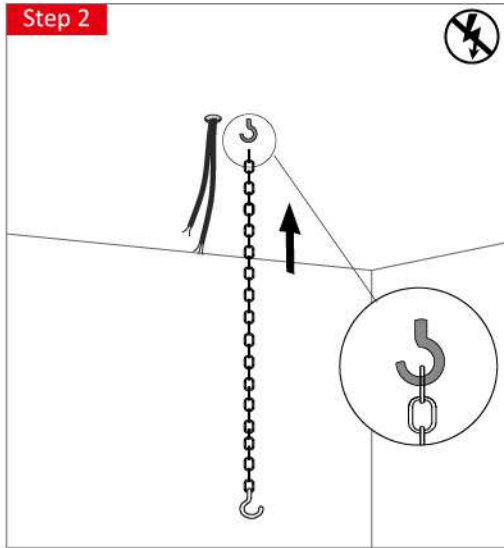
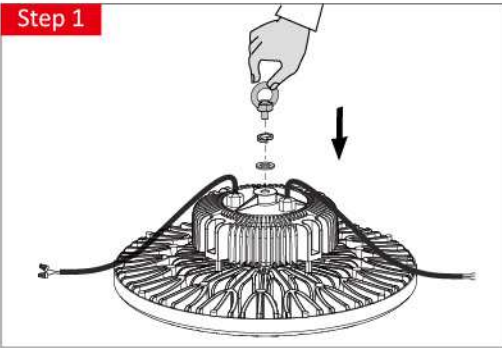
Installation Manual



Keep at an ambient temperature of: -20°C to +45°C

Ensure the main electrical supply is switched off before installing or maintenance.



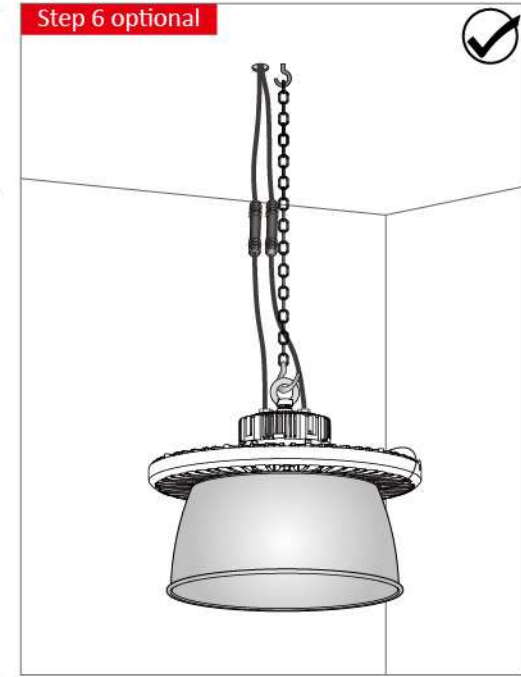
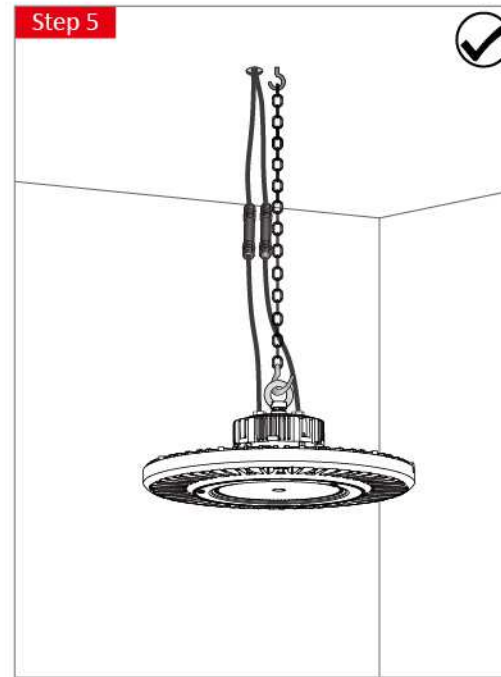


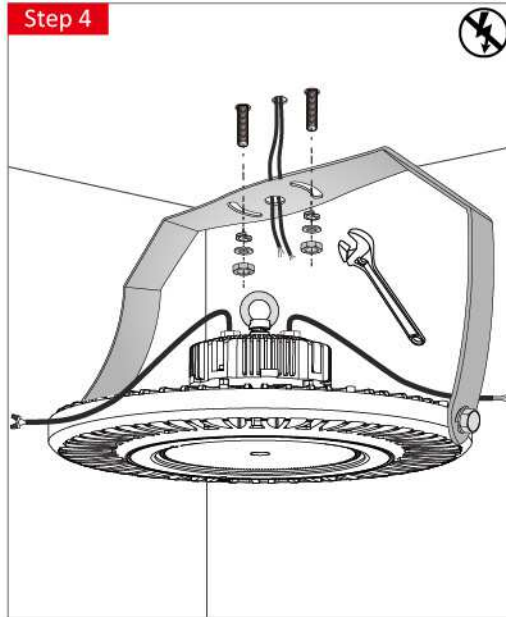
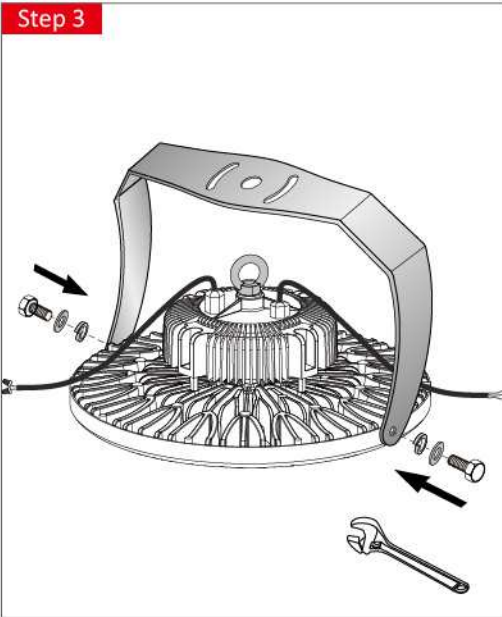
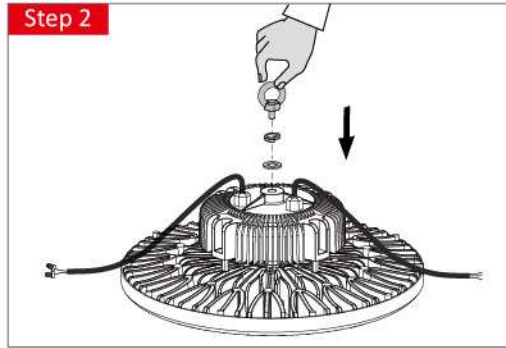
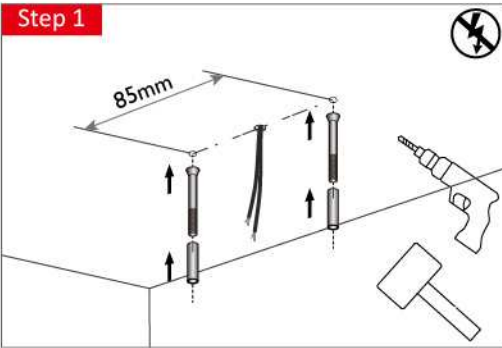
Note:

	CE version:	ETL version:
① I-10V dimming cable	+ Brown - Blue	+ Purple - Grey
② 100-277V AC cable	N Blue L Brown ⊕ Green	N White L Black ⊕ Green

Warning:

- ① Incorrect installation may result in power burned or a risk of a fire.
- ② If don't need dimming, protect the I-10V output with the protection caps provided with the product.



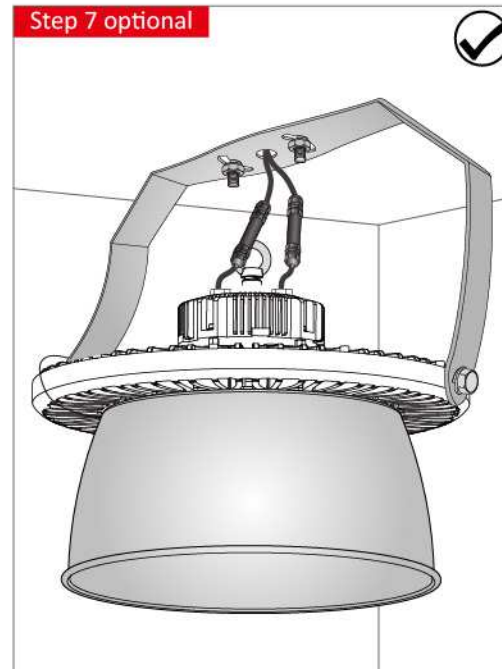
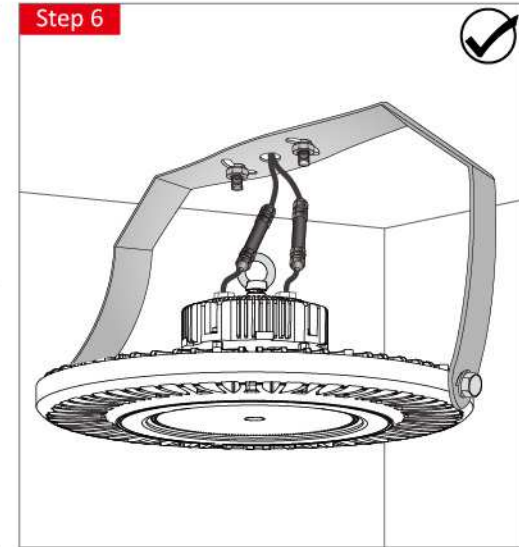
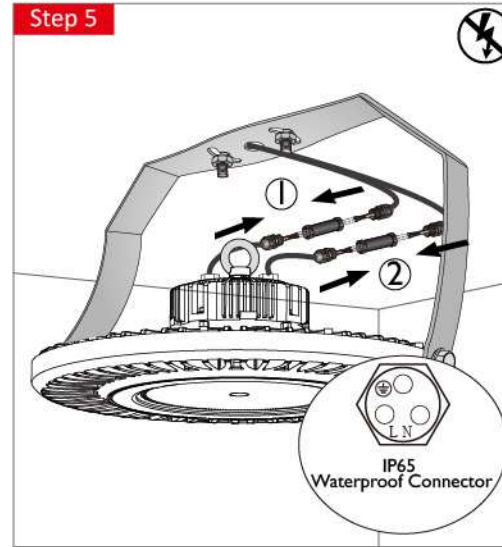


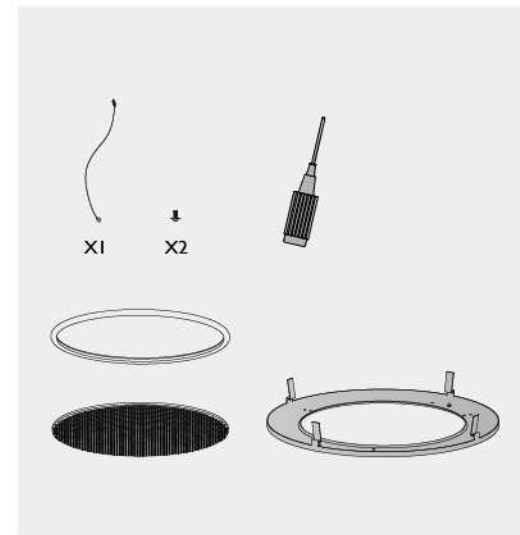
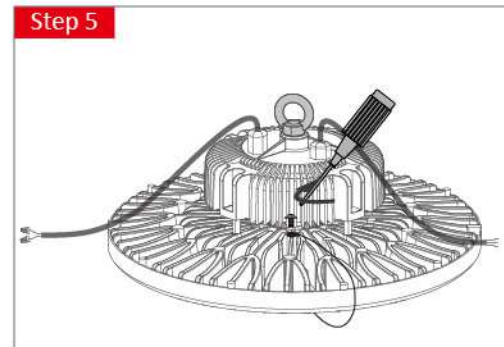
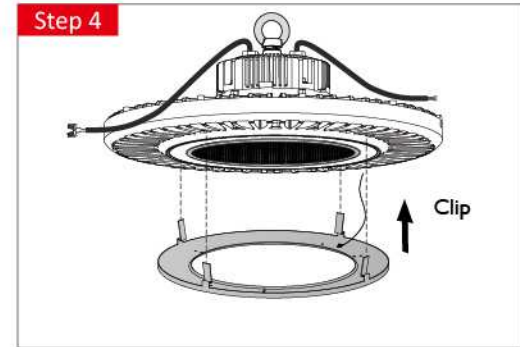
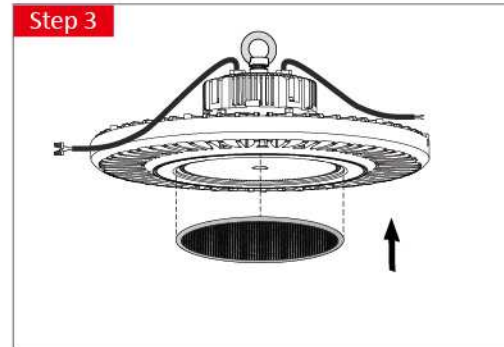
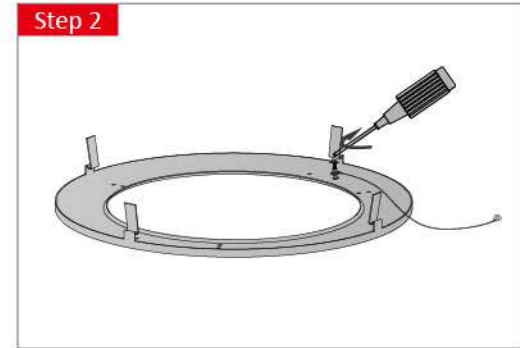
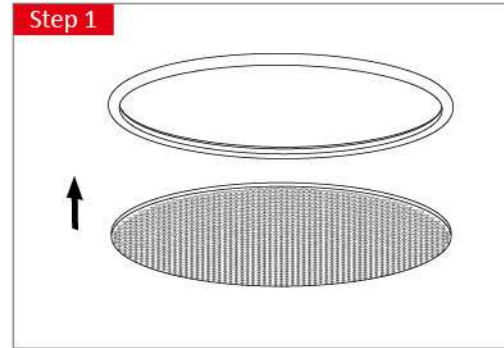
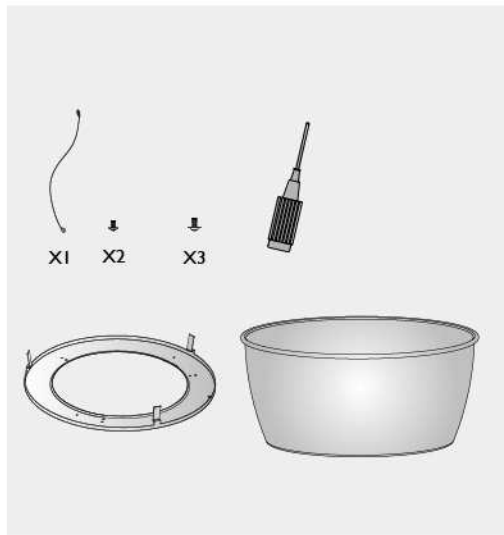
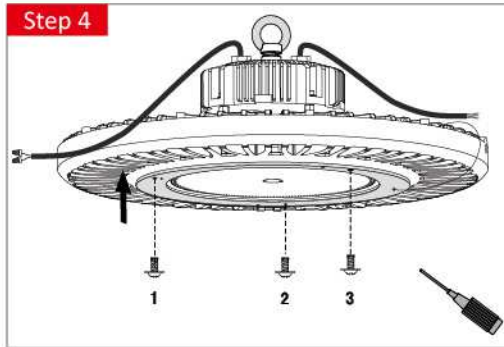
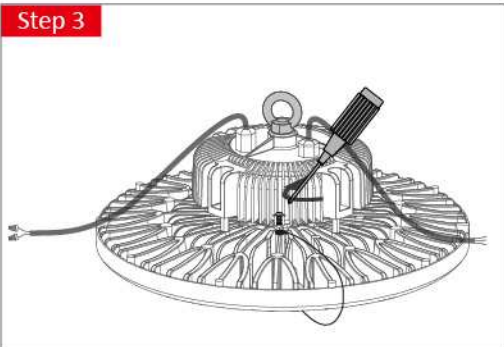
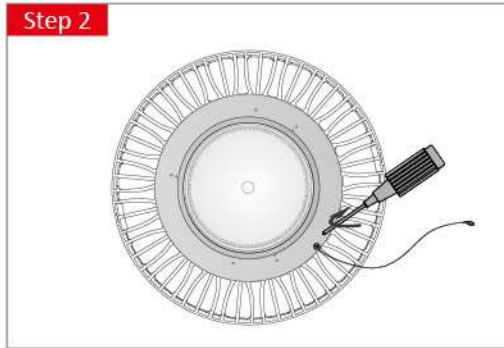
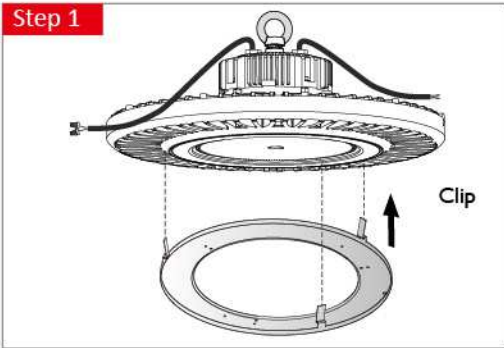
Note:

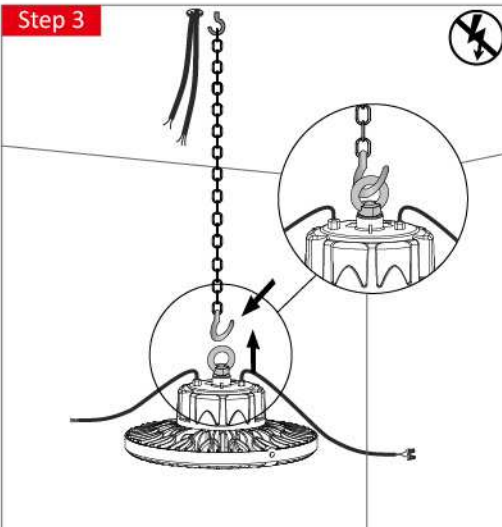
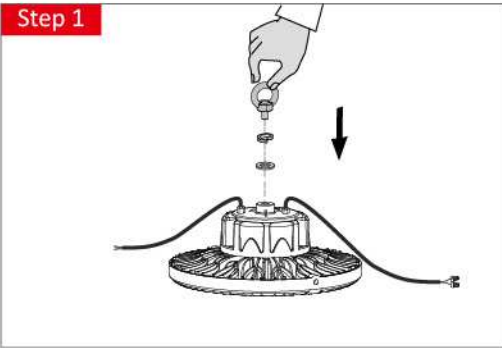
	CE version:	ETL version:
① 1-10V dimming cable	+ Brown - Blue	+ Purple - Grey
② 100-277V AC cable	N Blue L Brown ⊕ Green	N White L Black ⊕ Green

Warning:

- ① Incorrect installation may result in power burned or a risk of a fire.
- ② If don't need dimming, protect the 1-10V output with the protection caps provided with the product.





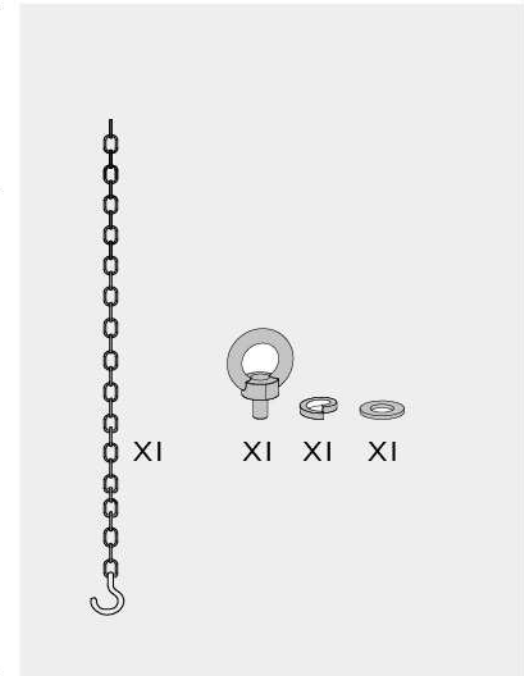
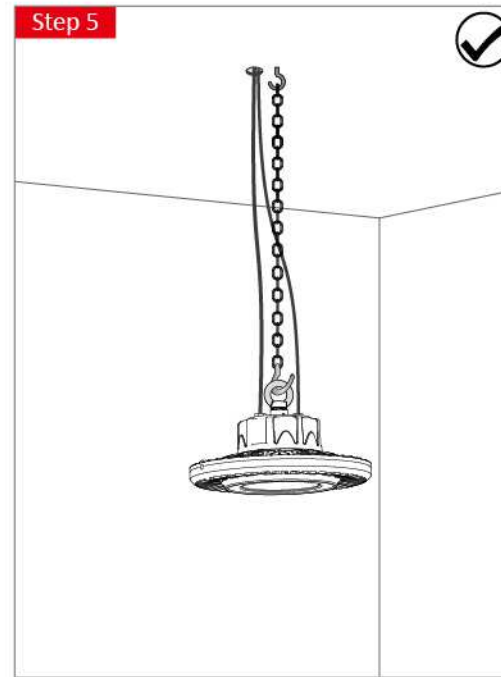
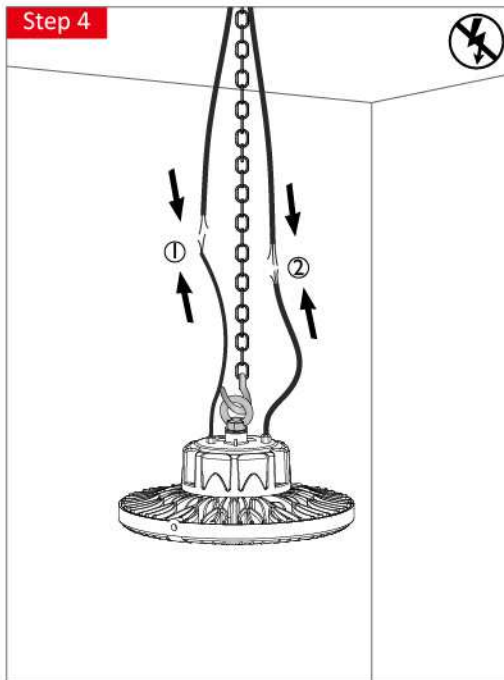
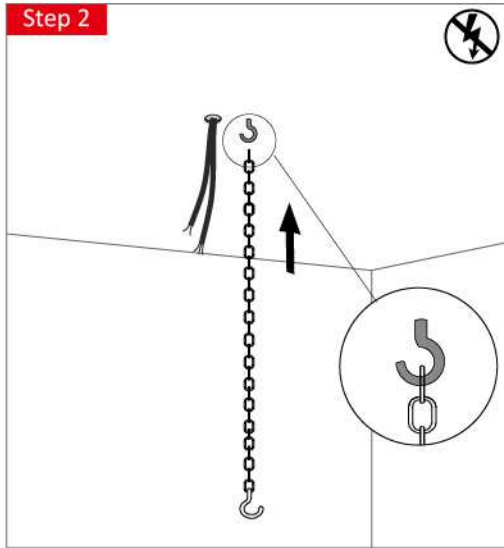


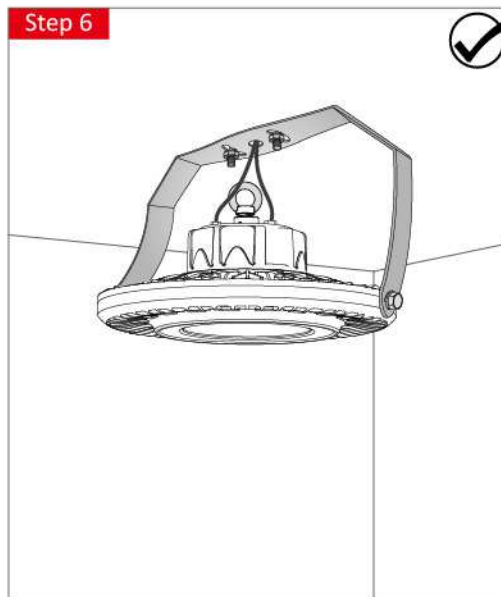
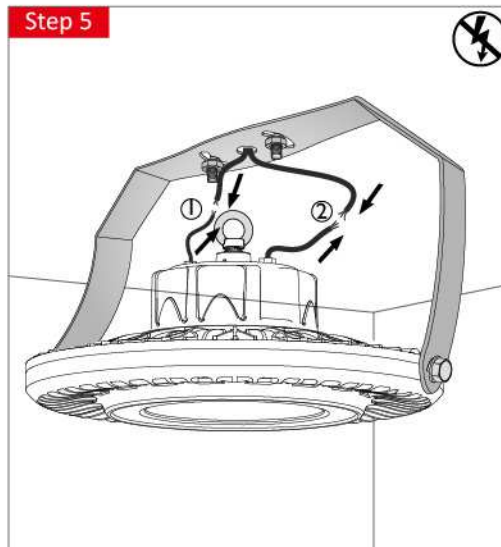
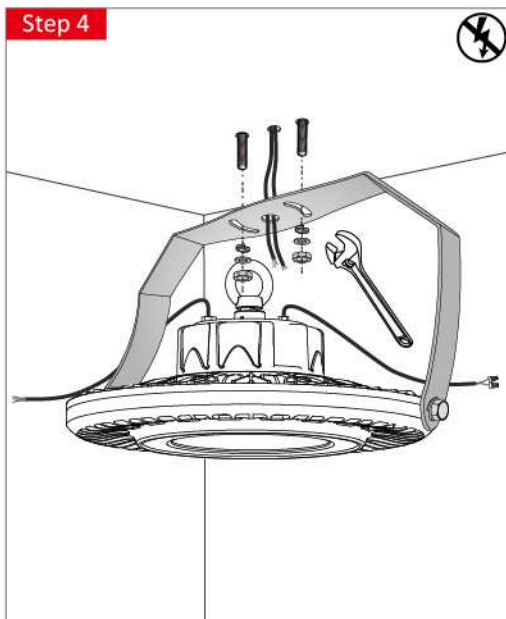
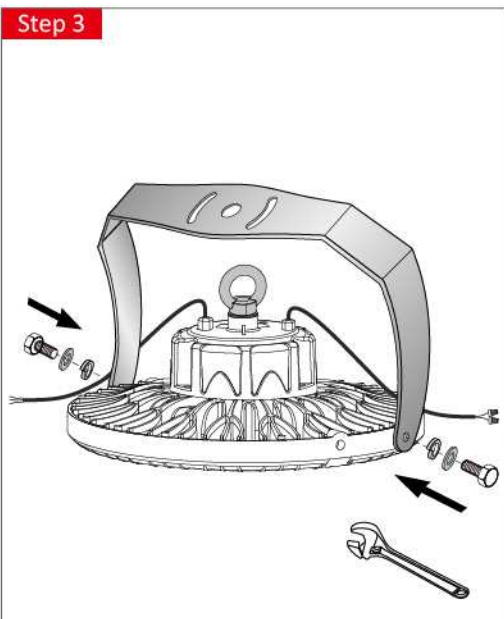
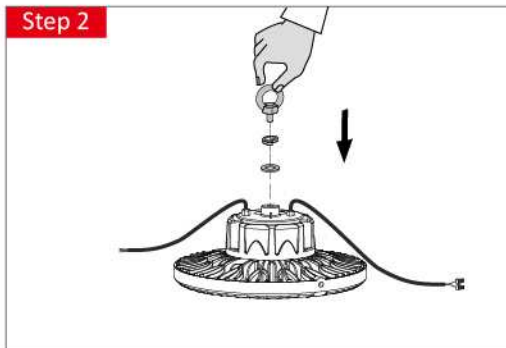
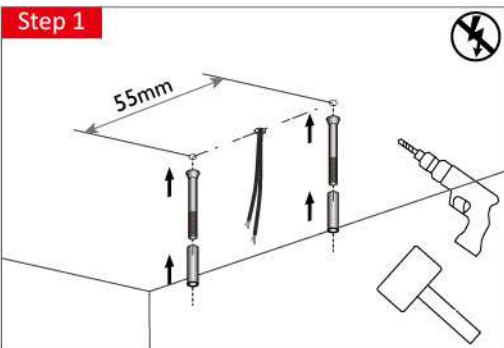
Note:

- | | | |
|---|--|---------|
| ① | | + Red |
| | | - Black |
| ② | | N Blue |
| | | L Brown |
| | | ⊕ Green |

Warning:

- ① Incorrect installation may result in power burned or a risk of a fire.
- ② If don't need dimming, protect the I-10V output with the protection caps provided with the product.





Note:

- | | | |
|---|---|---------|
| ① | — | + Red |
| | — | - Black |
| ② | — | N Blue |
| | — | L Brown |
| | ⊕ | ⊖ Green |

Warning:

- ① Incorrect installation may result in power burned or a risk of a fire.
- ② If don't need dimming, protect the 1-10V output with the protection caps provided with the product.

