

Lotus



Features

- Up to 115 lm/watt (120 lm/watt R70)
- Unique appearance, innovative heat sink design
- Low operating temperature, makes it extremely versatile under different easy/hard operating conditions
- Innovative reflector-mounting-mechanism for instant beam angle adjustment
- Superbly reliable Meanwell HBG driver with built in 1-10V dimming function
- Light weight
- Easy Installation
- 5 Years Guarantee

Applications

- Factory
- Warehouse
- Workshop
- Shop
- Industrial Lighting



Sheenly LED Highbay Light

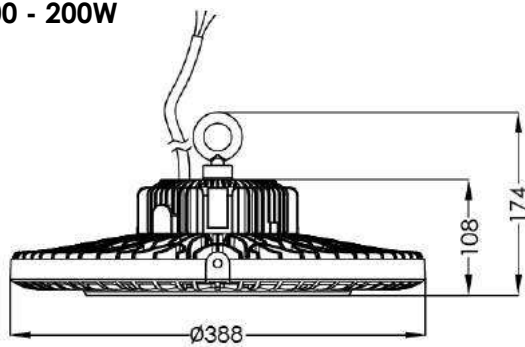
LED Bay Light - Lotus adopts qualified super bright LED as light source, which is stable, long life and no UV & IR emission. The special designed aluminum housing is stylish and fashionable with excellent heat management. Integrated with Meanwell latest HBG series driver, powered by low voltage constant current driver, which is safety, energy saving and long life. The whole structure well ensures IP65 waterproof and 5 years guarantee.

Specifications

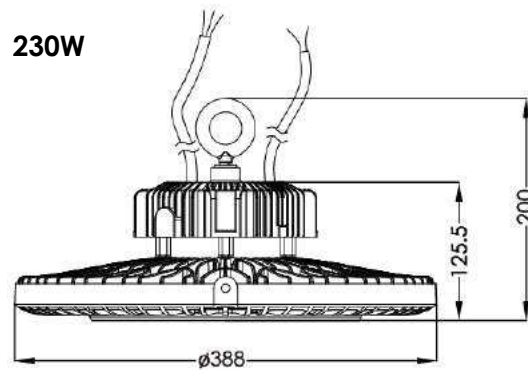
Dimension	D388*174 mm (100 - 200W) D388*200 mm (230W)
Power & Lumen Output	
100W	11500 lm @ 5700K Ra 80
120W	13800 lm @ 5700K Ra 80
160W	18400 lm @ 5700K Ra 80
200W	23000 lm @ 5700K Ra 80
230W	26450 lm @ 5700K Ra 80
Color Temperature	
Warm White	3000 ±200K
Natural White	4000 ±250K
Daylight White	5000 ±300K
Pure White	5700 ±350K
Color Rendering Index	>80 (>70)
Rated Life (L80)	60,000 Hours
Housing	Aluminum
Beam Spread	
Transparent Tempered Glass	120°
Micro Prismatic PC	90°
Optional Reflector	60°
Operating Temperature	-20°C to +45°C (Amb.)
Input Voltage	90-305V/AC
Power Factor	>0.95
Net Weight	6.10 - 7.35 Kg
Glow Wire	960 °C
IP	IP65
IK	IK10
Installation	Suspension Wall Mounting

Dimension (mm)

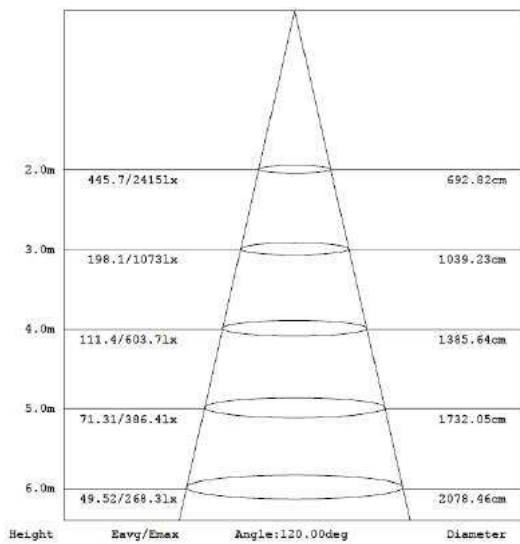
100 - 200W



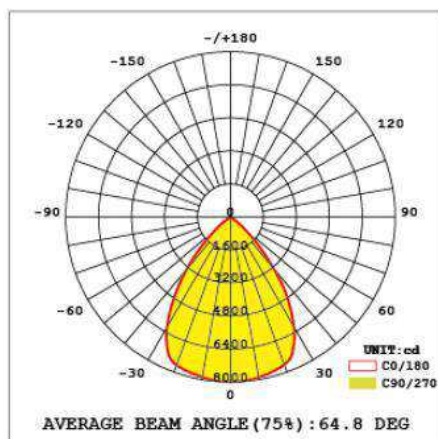
230W



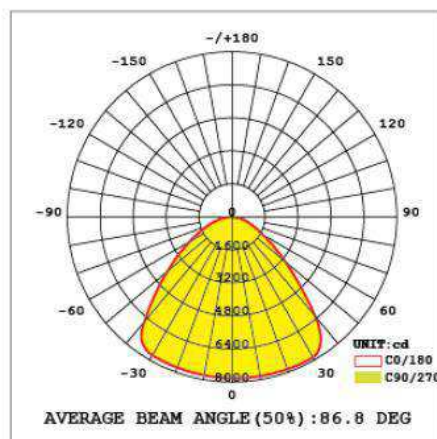
Illumination Diagram



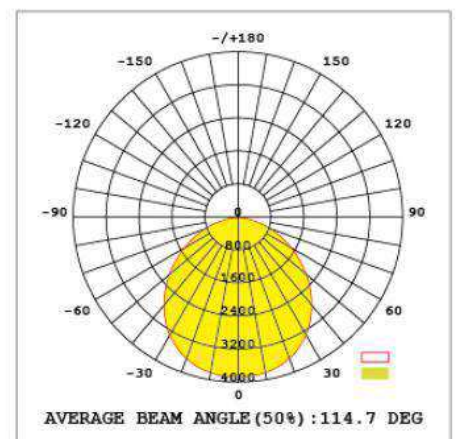
Distribution Diagram



60° Aluminium Reflector 160W



90° Micro Prismatic Diffusor 160W



120° Normal 160W

Ordering Information

Sheenly	Class	Watt	CCT	Model	Finishing	Options
SL=Sheenly Lighting	BAY=Bay Light	100W 120W 160W 200W 230W	WW=3000 ±200K NW=4000 ±250K DW=5000 ±300K PW=5700 ±350K	AN	BK=Black WH=White SL =Sliver	90D=90 Degree Beam

Part Number	Power	CCT	Lumen Output	Beam	Dimension
SL-BAY-100W-XW*-AN	100W	3000K/4000K/5000K/5700K	11500	120°	D388*174 mm
SL-BAY-120W-XW*-AN	120W	3000K/4000K/5000K/5700K	13800	120°	D388*174 mm
SL-BAY-160W-XW*-AN	160W	3000K/4000K/5000K/5700K	18400	120°	D388*174 mm
SL-BAY-200W-XW*-AN	200W	3000K/4000K/5000K/5700K	23000	120°	D388*174 mm
SL-BAY-230W-XW*-AN	230W	3000K/4000K/5000K/5700K	26450	120°	D388*200 mm

*XW: WW 3000k /NW 4000K /DW 5000K /PW 5700K

Accessory



Optional Accessories:

- SL-ACC-HB-WALL-M** - Wall Mounting Fixture
- SL-ACC-HB-RDCR-34M10** - 3/4" NPT to M10 Reducer Adapter
- SL-ACC-HB-CHAIN - Suspension** – Suspension Chain
- SL-ACC-HB-REF-60D** - 60° Beam Aluminum Reflector
- SL-ACC-HB-REF-60D-TP** - 60° Beam Acrylic Reflector
- SL-ACC-HB-PRI-90D** - 90° Prismatic Lens

Shanghai Sheenly Lighting Co., Ltd.

No. 2755 SanLu Road, Minhang District Shanghai 201112, China

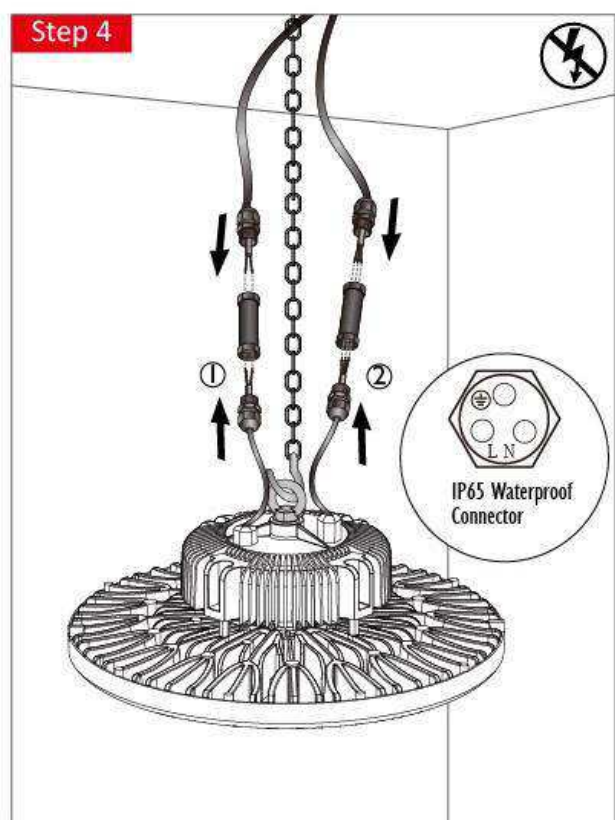
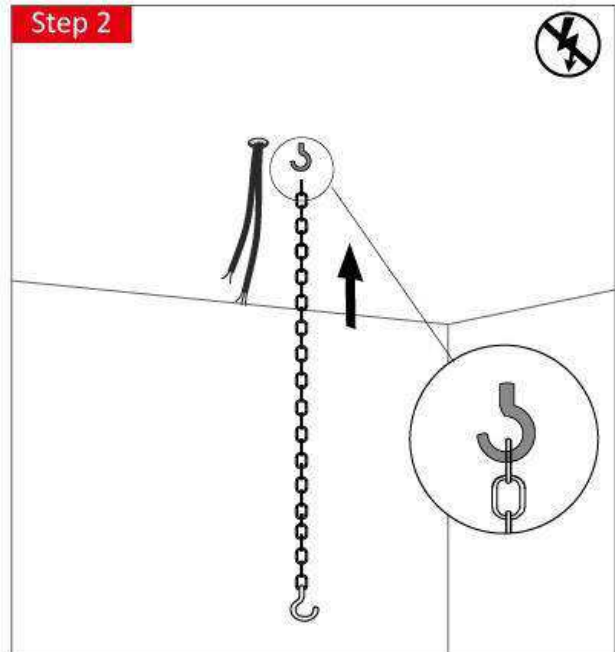
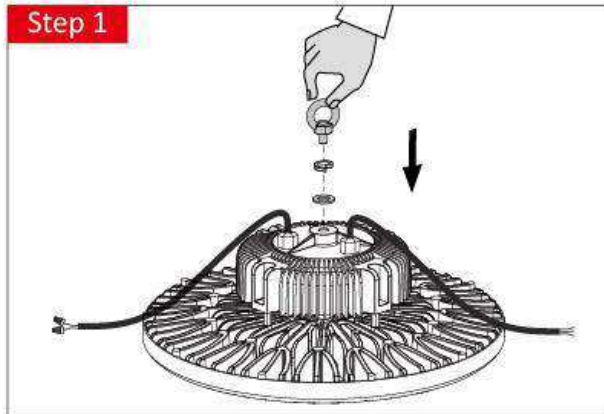
Tel: (+86)-21-6411 3138 Fax: (+86)-21-6411 3862

*All specifications subject to change without notice.

©2009-2015Sheenly Lighting all rights reserved.

Lotus Suspension Chain Installation Manual

SHEENLY



Note:

	CE version:	ETL version:
① I-10V dimming cable	+ Brown - Blue	+ Purple - Grey
② 100-277V AC cable	N Blue L Brown ⊕ Green	N White L Black ⊕ Green

- Warning:
- ① Incorrect installation may result in power burned or a risk of a fire.
 - ② If don't need dimming, protect the I-10V output with the protection caps provided with the product.

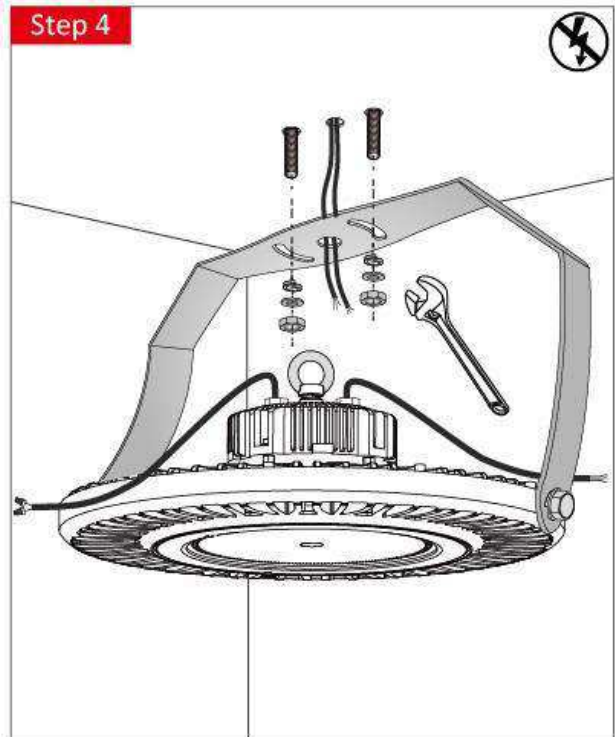
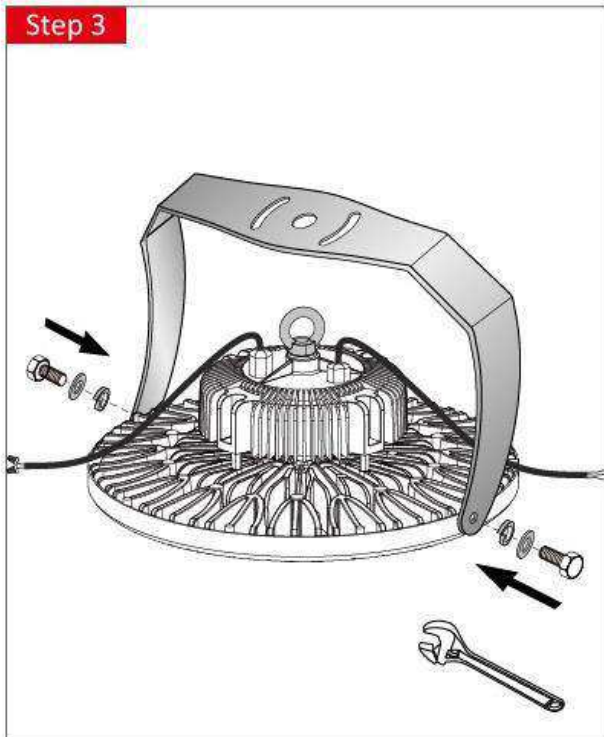
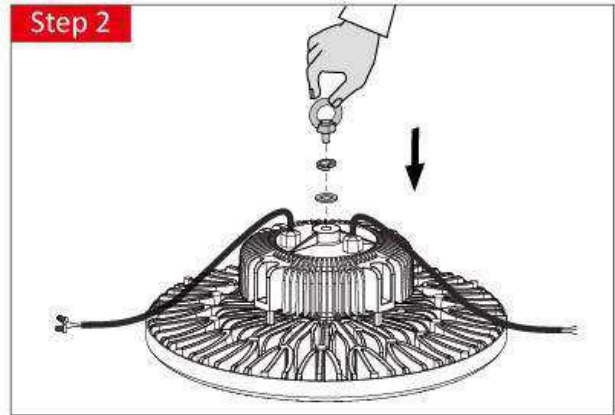
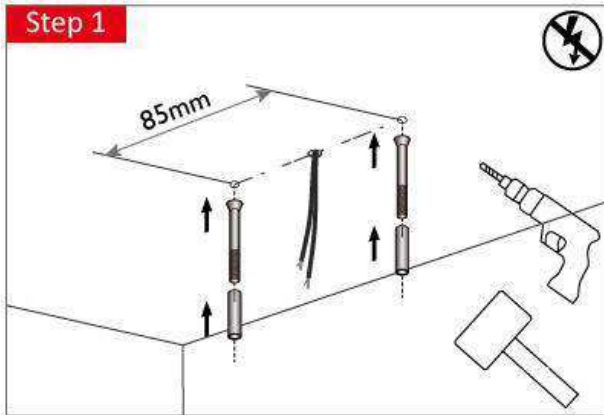
**Lotus
Suspension Chain Installation Manual**



5 YEAR
GUARANTEE

www.sheenly.com **2**

**Lotus
Wall Mounting Installation Manual**



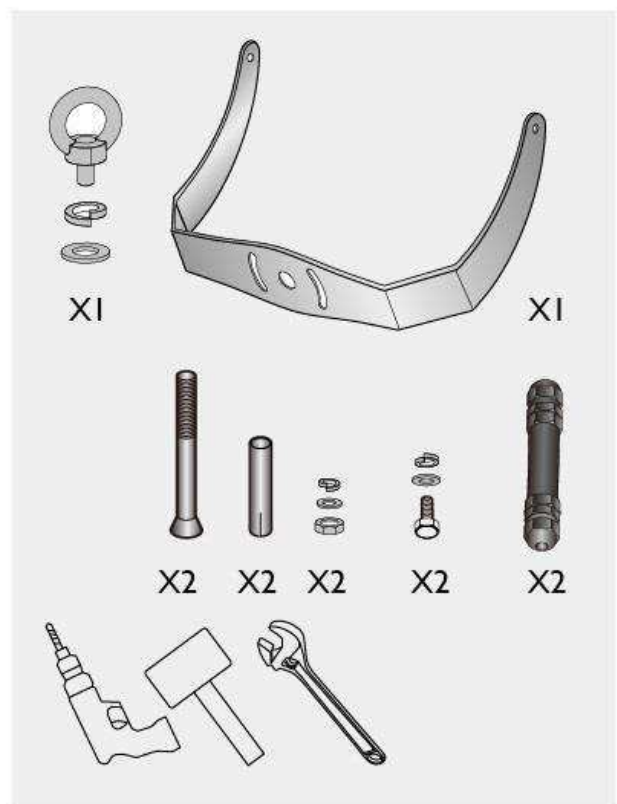
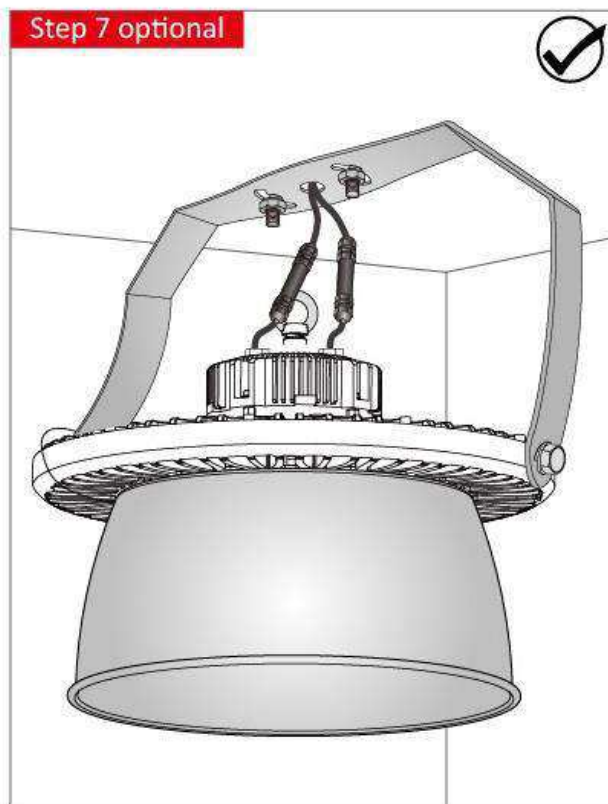
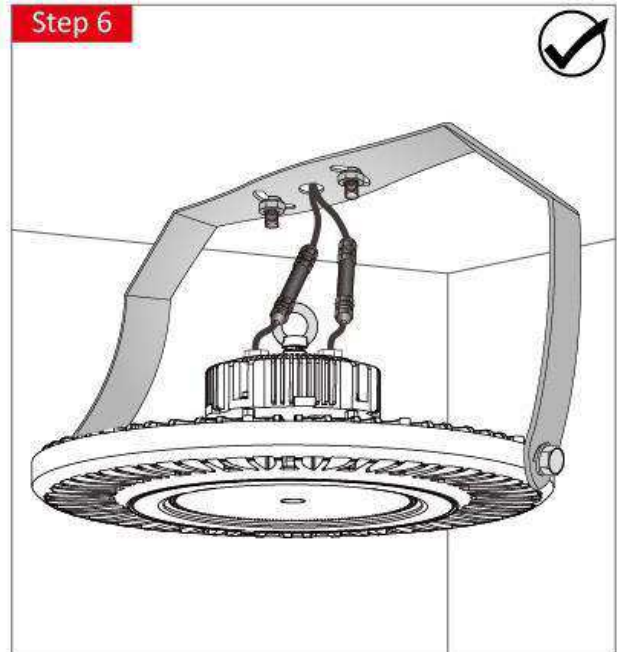
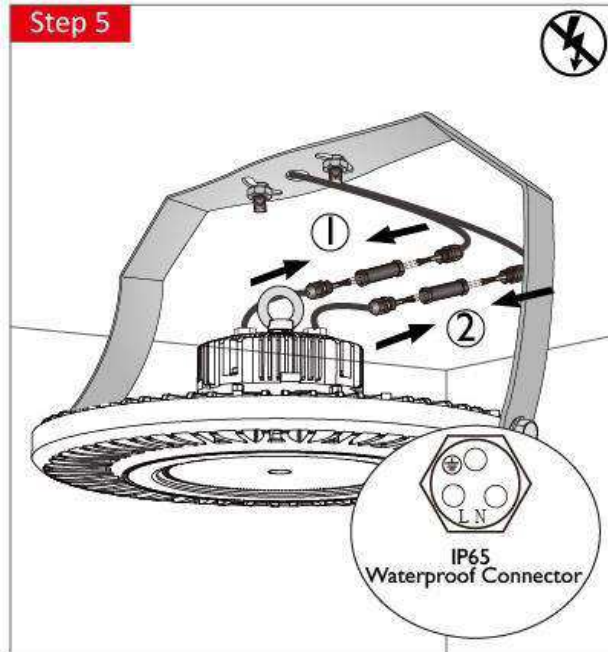
Note:

	CE version:	ETL version:
① 1-10V dimming cable	+ Brown - Blue	+ Purple - Grey
② 100-277V AC cable	N Blue L Brown ⊕ Green	N White L Black ⊕ Green

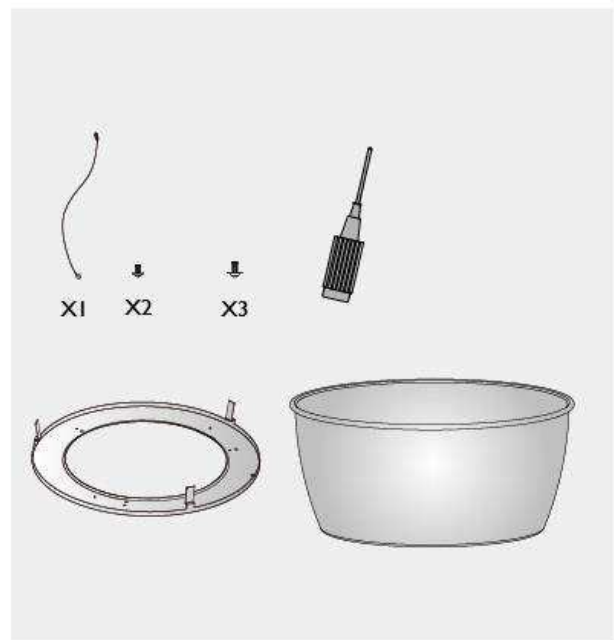
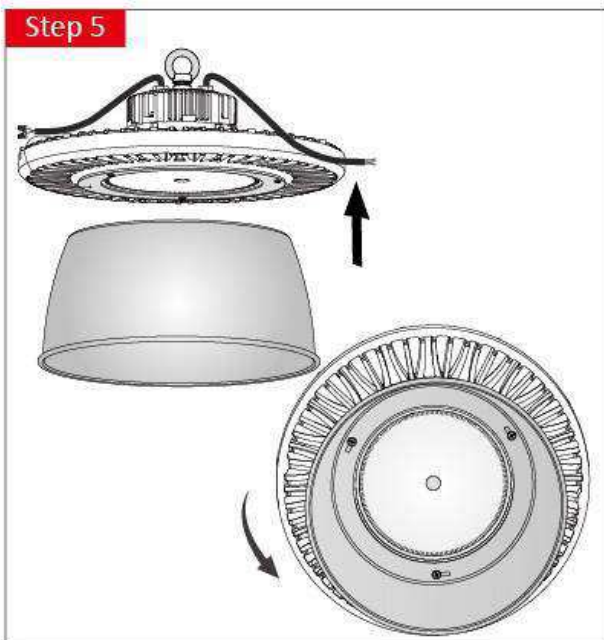
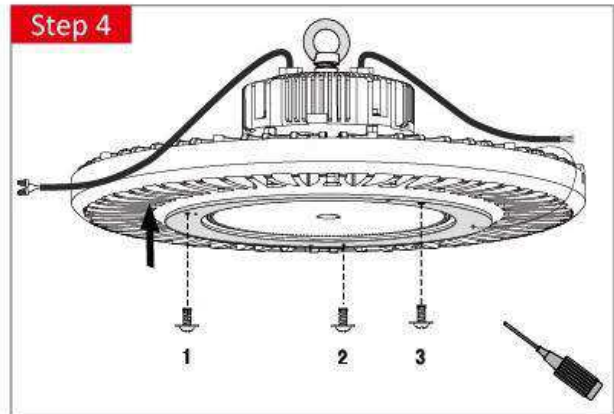
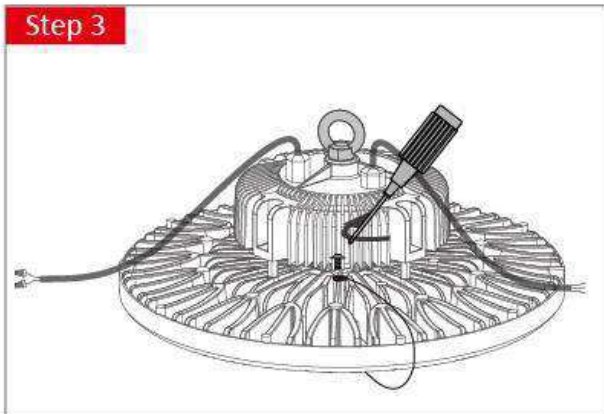
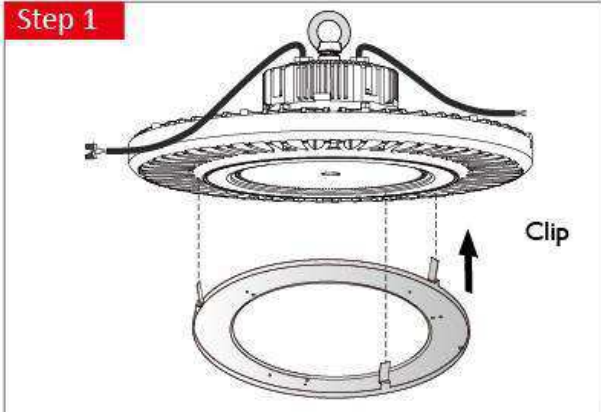
Warning:

- ① Incorrect installation may result in power burned or a risk of a fire.
- ② If don't need dimming, protect the 1-10V output with the protection caps provided with the product.

**Lotus
Wall Mounting Installation Manual**



**Lotus
60° Reflector Installation Manual (optional)**



**Lotus
90° Reflector Installation Manual (optional)**

