

Jade



Features

- Ultra modern, stylish and Innovative design
- variety of color cover is optional, Color of cover can be changed individually
- Energy efficient, 100lm/W
- No UV or IR emissions
- Durable with life span over 50,000 hours
- Environmentally friendly – fully recyclable, no mercury or other hazardous materials
- Very simple and convenient installation

Applications

A perfect luminaire for open space area in various applications such as:

- Restaurants
- Offices
- Residential
- Theatres
- Shopping malls



Sheenly Transparent Series Lighting

Sheenly's new designed Transparent Light Jade is a revolutionary product, which developed for ceiling lighting. This product has a built-in driver, and stylish appearance with innovative design. Different color of cover makes it easy to adapt to different interior design themes.

A hybrid of edge lit technology gives an excellent blend of space lighting, making it the first of its kind in the lighting industry. Jade is a perfect luminaire for open space area in various applications.

Specifications

Dimension

12W	D280*42mm
18W	D360*46mm
24W	D420*46mm

Power & Lumen Output

12W	1200 lm @ 4000K
18W	1800 lm @ 4000K
24W	2400 lm @ 4000K

Color Temperature

Warm White	3000K ±200K
Natural White	4000K ±250K
Day White	5000K ±300K

Color Rendering Index

>80

Rated Life (L70)

50,000 Hours

Housing

Aluminum

Optics

Transparent

Beam Spread

Up/Down

Operating Temperature

-20°C to +45°C (Amb.)

Input Voltage

200-240V/AC

Power Factor

>0.95

Working Voltage & Current

12W	27±2 V/DC & 350mA
18W	39±2 V/DC & 350mA
24W	27±2 V/DC & 700mA

Net Weight

1.05 – 1.25 Kg

Glow Wire

650 °C (850°C Optional)

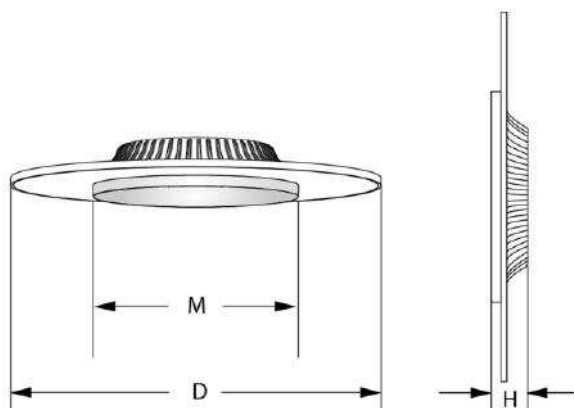
Protection

IP40/ IK05

Installation

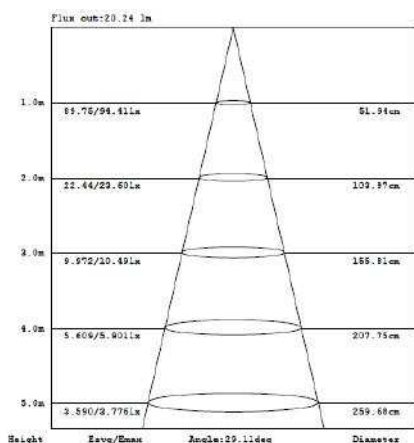
Surface Mounted/suspension

Dimension

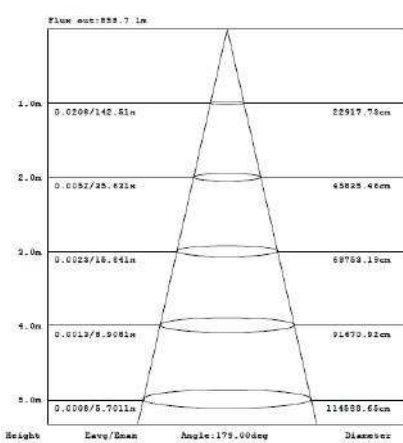


	Dimension D inch [mm]	Dimension H inch [mm]	Dimension M inch [mm]
12W	11" [280]	1.65" [42]	6.42" [163]
18W	14.2" [360]	1.81" [46]	8.35" [212]
24W	16.5" [420]	1.81" [46]	8.35" [212]

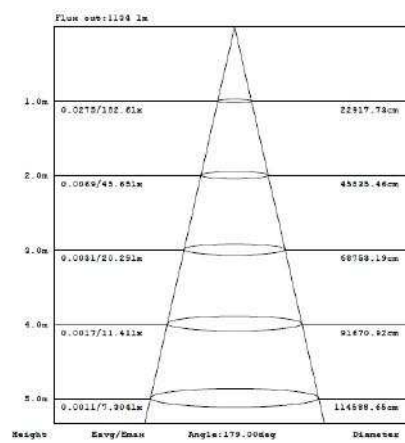
Illumination Diagram



12W 120°



18W 120°



24W 120°

Ordering Information

Sheenly	Class	Watt	CCT	Model	Finishing	Options
SL=Sheenly Lighting	PAN=Panel	12W 18W 24W	WW=3000 ±200K NW=4000 ±250K DW=5000 ±300K	UJD		D=Dimmable OC=Occupancy Sensor

Part Number	Power	CCT	Lumen Output	Beam	Dimension Inch [mm]
SL-PAN-12W-WW-JD	12W	3000 ±200K	1080	UP/DOWN Transparent	D11" x 1.65" [D280*42 mm]
SL-PAN-12W-NW-JD		4000 ±250K	1200		
SL-PAN-12W-PW-JD		5700 ±350K	1200		
SL-PAN-18W-WW-JD	18W	3000 ±200K	1620	UP/DOWN Transparent	D14.2" x 1.81" [D360*46 mm]
SL-PAN-18W-NW-JD		4000 ±250K	1800		
SL-PAN-18W-PW-JD		5700 ±350K	1800		
SL-PAN-24W-WW-JD	24W	3000 ±200K	2160	UP/DOWN Transparent	D16.5" x 1.81" [D420*46 mm]
SL-PAN-24W-NW-JD		4000 ±250K	2400		
SL-PAN-24W-PW-JD		5700 ±350K	2400		

Application



Shanghai Sheenly Lighting Co., Ltd.

No. 2755 SanLu Road, Minhang District Shanghai 201112, China

Tel: (+86)-21-6411 3138 Fax: (+86)-21-6411 3862

*All specifications subject to change without notice.

©2009-2015 Sheenly Lighting all rights reserved.

Transparent series Jade - Surface Mounting



Jade

Jade Square

Step 1

Jade	A(mm)
12W	100
18W	116
24W	116

Step 2

Step 3

Step 4

Step 5

100-277V AC cable

N Blue
L Brown
⊕ Yellow

Step 6

Step 7

X2 X2

**Lighting Up
a New World**

Transparent series Lily - Suspension Rope



☑ Lily

☑ Jade

