

R4, R6, R8



Features

- The highest PFC driver can be up to 0.99
- CRI>80, ErP compatible
- Ultra slim design
- Different frame design and color are available
- Suitable for recessed installation
- Dimmable compatible with Dali
- Lighting sensors and Motion sensors are optional
- Emergency battery pack last for 3 hours
- 5 years guarantee

Applications

Meets the general and decoration lighting environment such as:

- Offices
- Restaurants
- Hotels
- Shops
- School and Hospital
- Workshop
- Meeting Rooms



REV 1.2

10/21/2015

Sheenly LED Round Panel Light Slim Down Light

Sheenly LED Slim Down Light adopt super bright LED as its luminous body, powered by low voltage constant current driver. Aluminum die-casting housing with baking varnish disposal makes it stylish and fashionable with everlasting color.

Excellent thermal management can effectively guarantee the LED's long-term stability. The front panel board is high translucent acrylic, which ensures the light even, soft and high transmittance. Instant start, no flickering, no humming, no hazardous material.

Specifications

Dimension (mm)

R4	Ø145*12 CutOut: Ø125
R6	Ø180*12 CutOut: Ø160
R8	Ø240*12 CutOut: Ø220

Power & Lumen Output

R4	8W & 600 lm @ 4000K
R6	15W & 1200 lm @ 4000K
R8	24W & 2000 lm @ 4000K

Color Temperature

Warm White	3000 ±200K
Natural White	4000 ±250K
Pure White	5700 ±350K

Color Rendering Index

>80

Rated Life (L70)

50,000 Hours

Housing

Aluminum

Optics

Opal

Beam Spread

120°

Operating Temperature

-20°C to +45°C (Amb.)

Input Voltage

100-277V/AC

Power Factor

>0.95

Working Voltage & Current

R4	18±1 V/DC & 350mA
R6	36±2 V/DC & 350mA
R8	27±2 V/DC & 700mA

Net Weight (Includes Driver)

0.28±0.1kg to 0.52±0.1kg

Glow Wire

650 °C (850°C optional)

IP

IP40

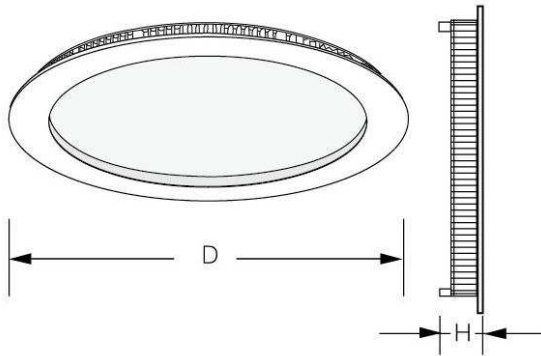
IK

IK05

Installation

Clip in

Dimension [mm]



	Dimension D (mm)	Dimension H (mm)
R4	145	12
R6	180	12
R8	240	12

Ordering Information

Sheenly	Class	Watt	CCT	Model	Finishing	Options
SL=Sheenly Lighting	PAN=Panel	8W 15W 24W	WW =3000 ±200K NW =4000 ±250K PW =5700 ±350K	R4 R6 R8	WH =White	

Part Number	Power	CCT	Lumen Output	Beam	Dimension [mm]
SL-PAN-08W-WW-R4	8W	3000±200K	450	120°	Ø145 x12 Cutout: Ø125
SL-PAN-08W-NW-R4		4000±250K	600		
SL-PAN-08W-PW-R4		5700±350K	650		
SL-PAN-15W-WW-R6	15W	3000±200K	1000	120°	Ø180 x12 Cutout: Ø160
SL-PAN-15W-NW-R6		4000±250K	1200		
SL-PAN-15W-PW-R6		5700±350K	1300		
SL-PAN-24W-WW-R8	24W	3000±200K	1800	120°	Ø240 x12 Cutout: Ø220
SL-PAN-24W-NW-R8		4000±250K	2000		
SL-PAN-24W-PW-R8		5700±350K	2200		

Accessory



Shanghai Sheenly Lighting Co., Ltd.

No. 2755 SanLu Road, Minhang District Shanghai 201112, China

Tel: (+86)-21-6411 3138 Fax: (+86)-21-6411 3862

*All specifications subject to change without notice.

©2009-2015Sheenly Lighting all rights reserved.